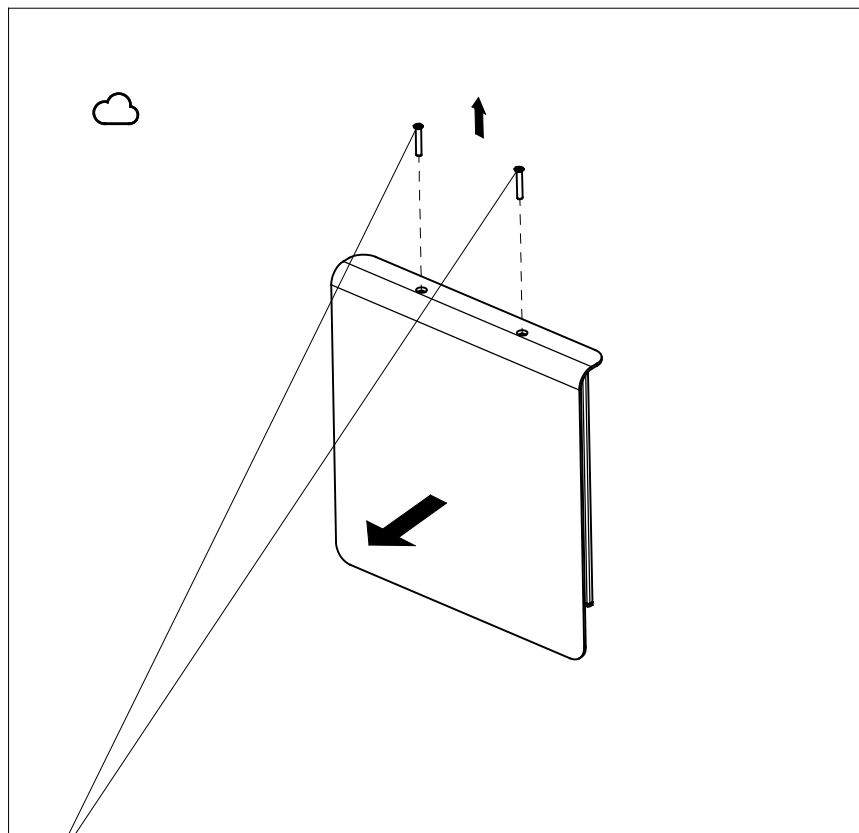
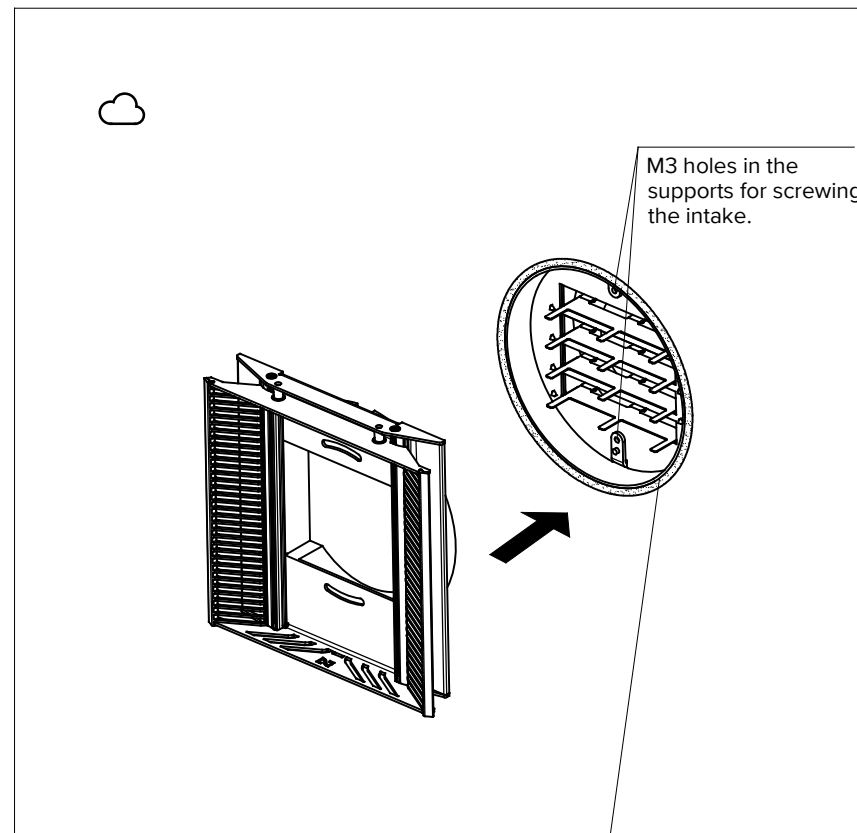


3.



Unscrew the intake cover from the rivet nuts using two screws, using hexagonal key 2mm

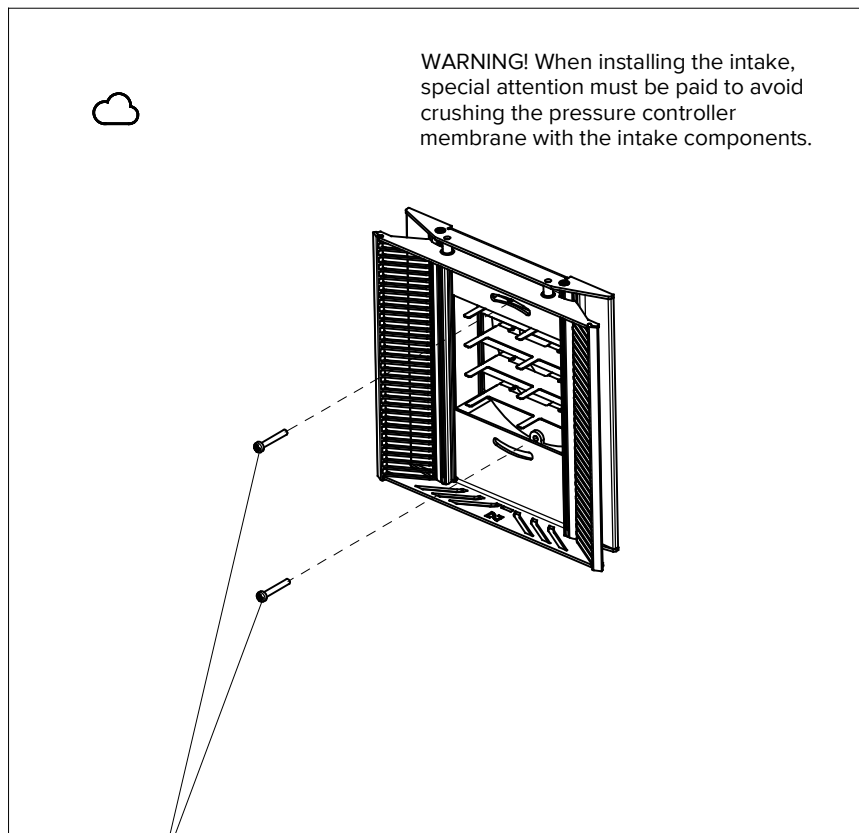
4.



M3 holes in the supports for screwing the intake.

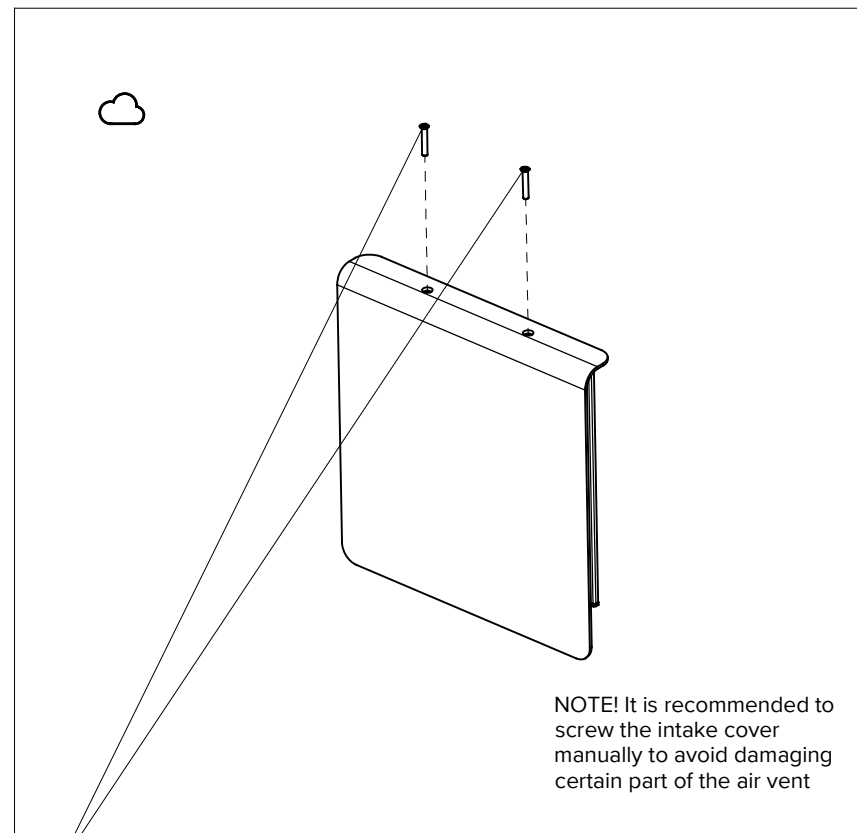
Apply roofing sealant to the plaster surface around the perimeter of the pipe, then insert the intake into the pass-through duct.

5.



Screw the intake to the mounting supports using two screws, using PH1 2mm bit

6.

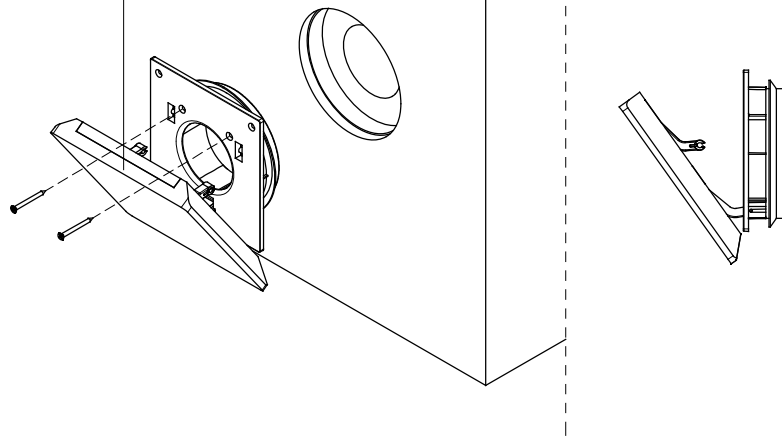


Screw the intake cover to the rivet nuts using two screws, using hexagonal key 2mm

7.



Flow regulator cover

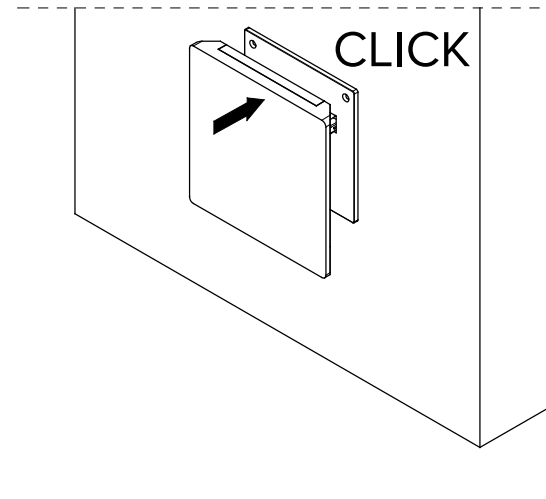


After plastering the wall and finishing the interiors, insert the flow regulator into the pass-through duct until it stops. Lower the flow regulator cover in order to expose the screw holes. Screw the flow regulator into the wall with screws

8.

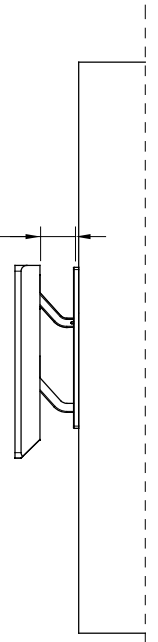


CLICK

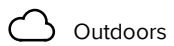


Connect the elements by snapping the upper part into the body

30



Flow regulator cover in fully open position



Outdoors



Indoors