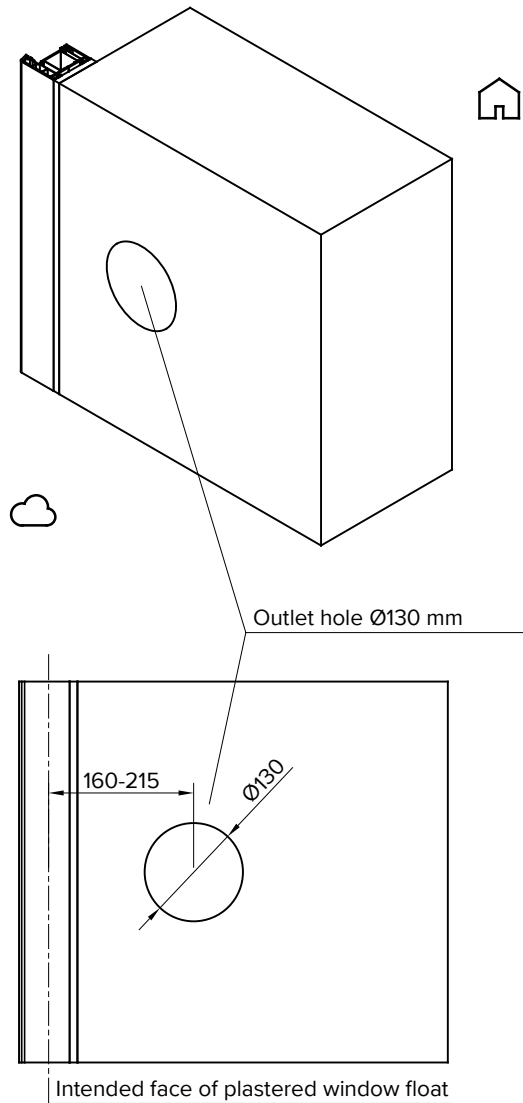
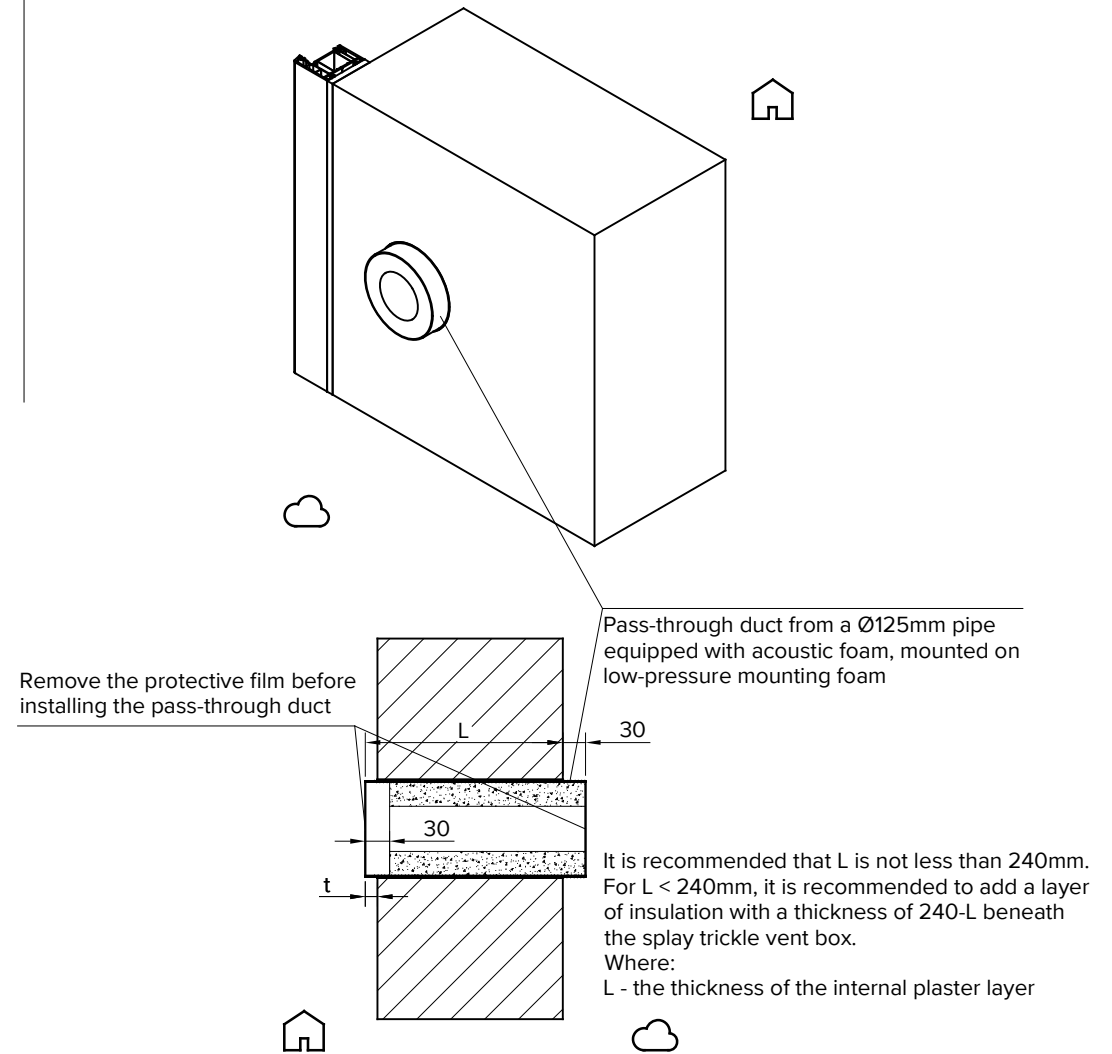


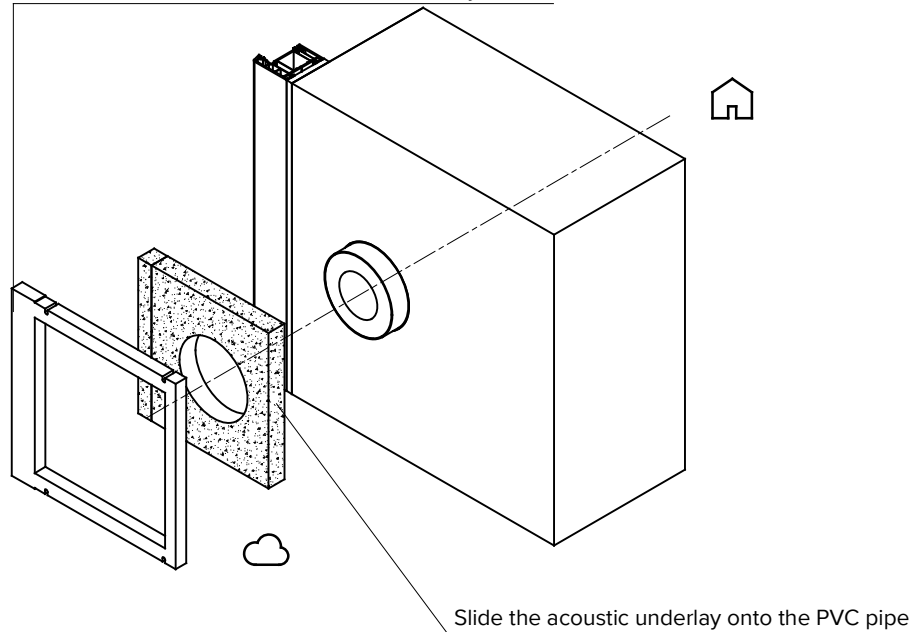
1.



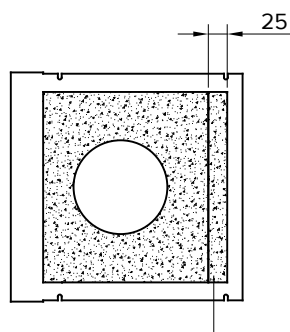
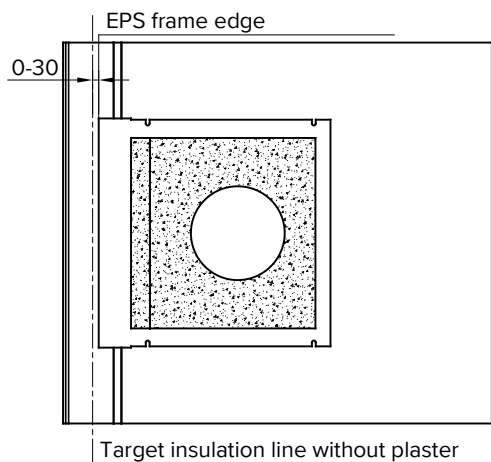
2.



3. Mount the EPS frame on the acoustic underlay

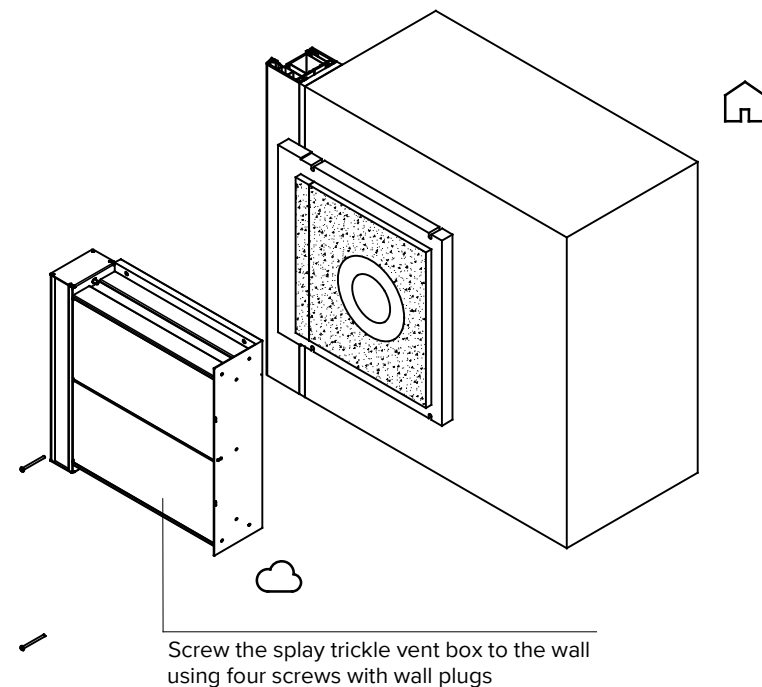


Slide the acoustic underlay onto the PVC pipe



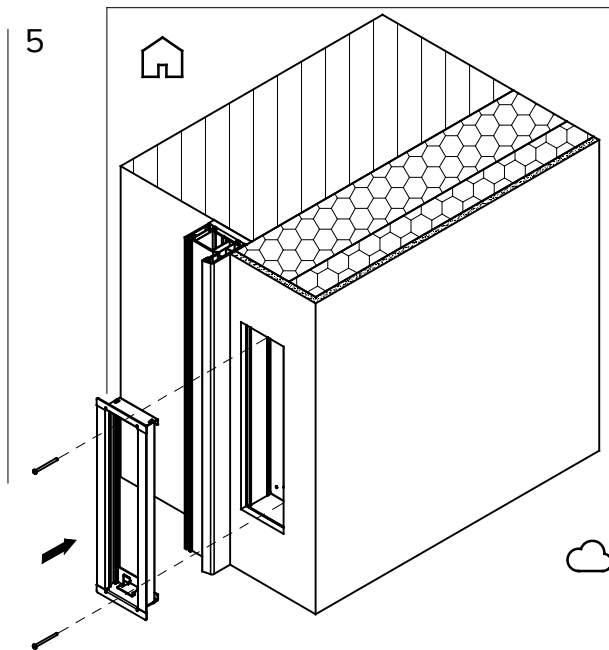
If the EPS frame extends beyond the outline of the insulation line, adjust the acoustic underlay by moving an element to the right as shown above

4.



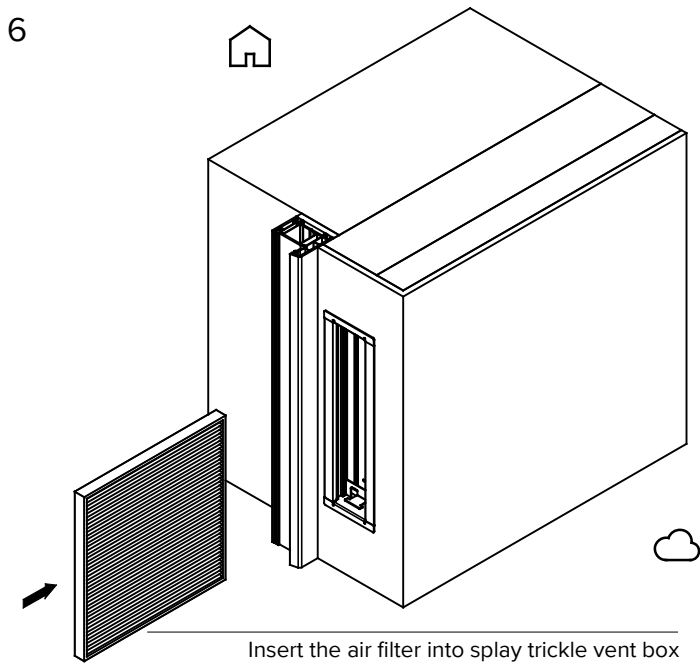
Screw the splay trickle vent box to the wall using four screws with wall plugs



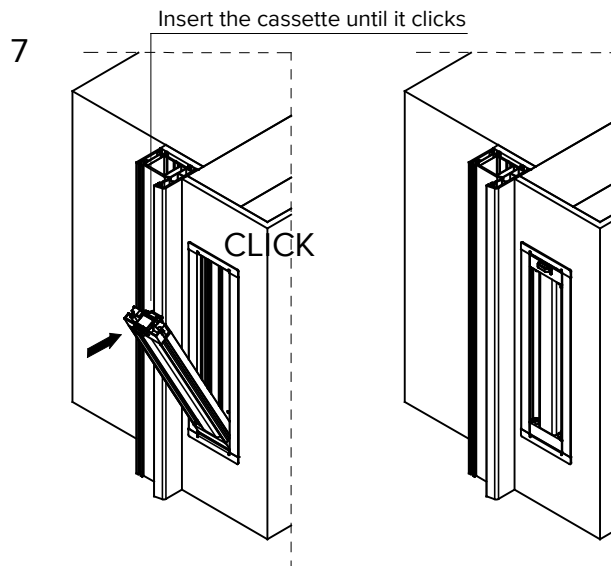
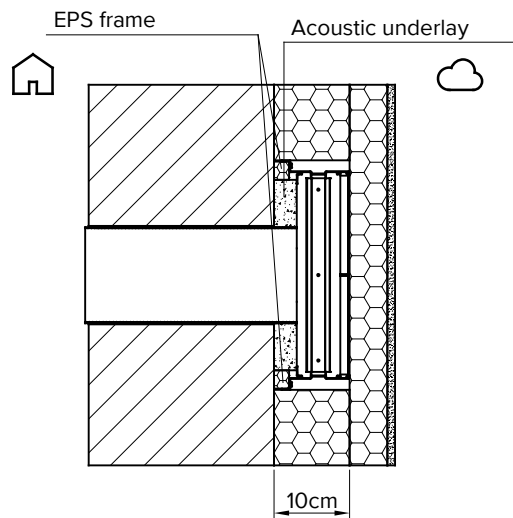


After insulating the splay trickle vent box and plastering the window float, slide the cover plate in all the way to the surface of the plaster. Secure the cover plate to the splay trickle vent box with screws

Refers to Puro F

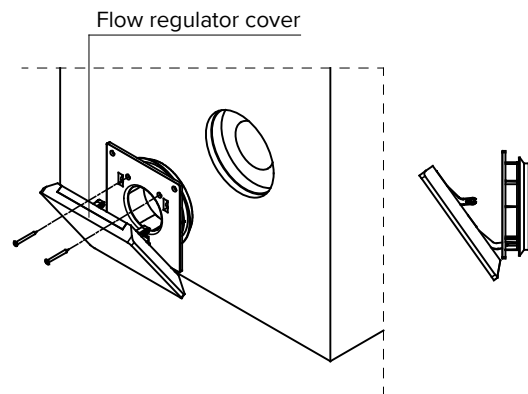


Insert the air filter into splay trickle vent box



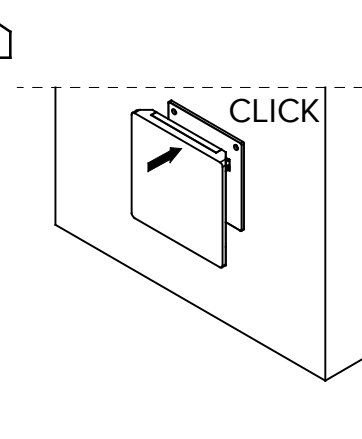
Cloud icon: Outdoors
 House icon: Indoors

8.

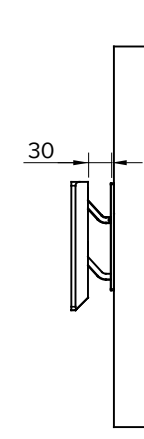


After plastering the wall and finishing the interiors, insert the flow regulator into the pass-through duct until it stops. Lower the flow regulator cover in order to expose the screw holes. Screw the flow regulator into the wall with screws

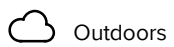
9.



Connect the elements by snapping the upper part into the body



Flow regulator cover in fully open position



Outdoors



Indoors