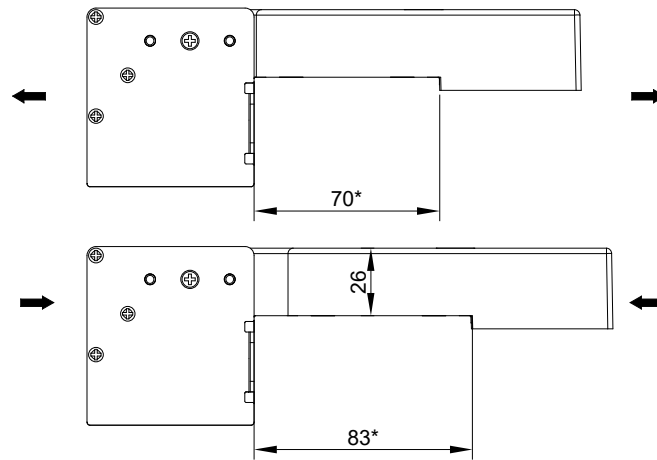


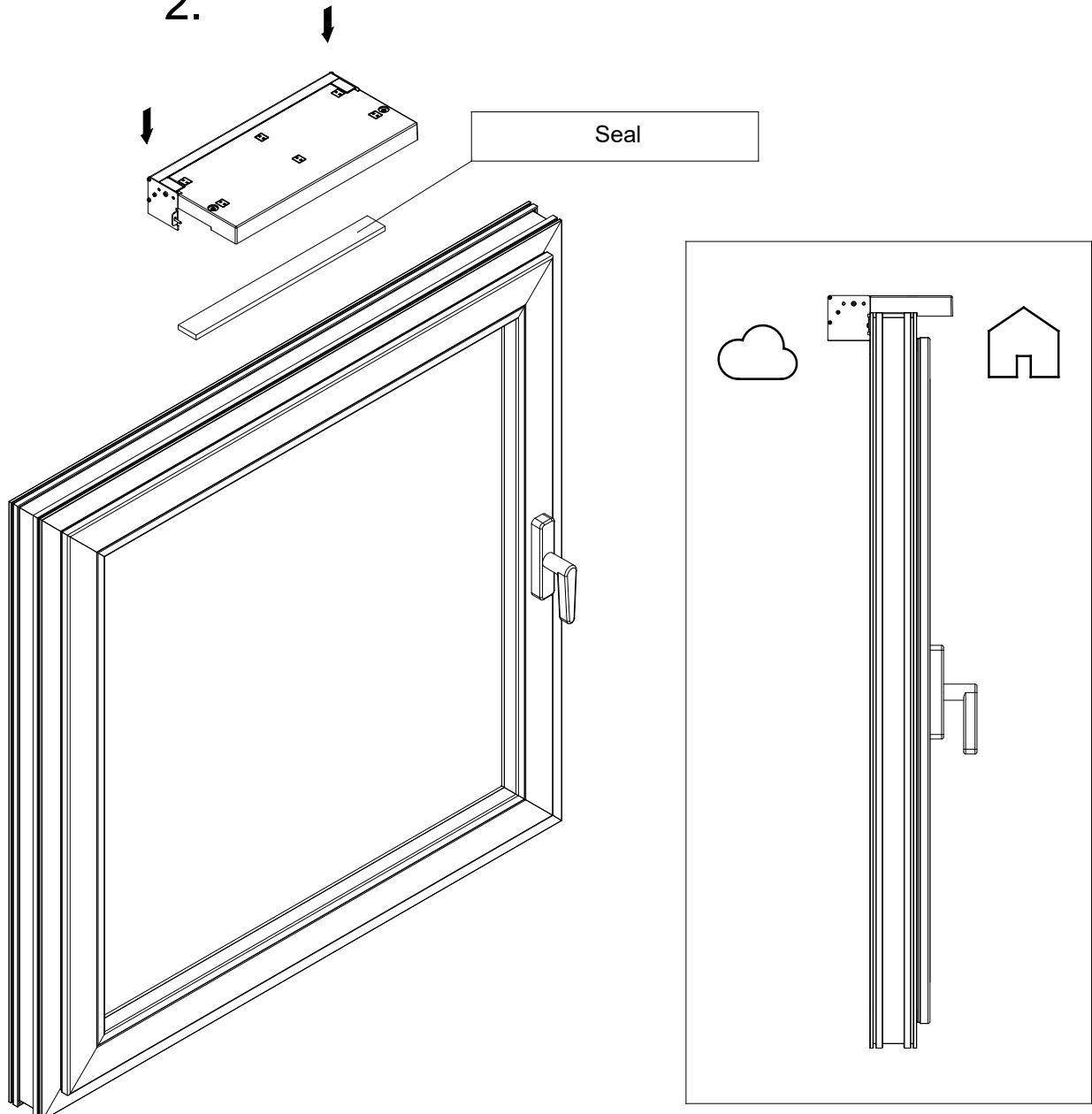
1.



Slide apart the pass-through duct to adjust its size to the window frame width

\*Available duct ranges for Insolio:  
 70-83 mm  
 84-94 mm  
 95-120 mm  
 121-250 mm  
 251-350 mm

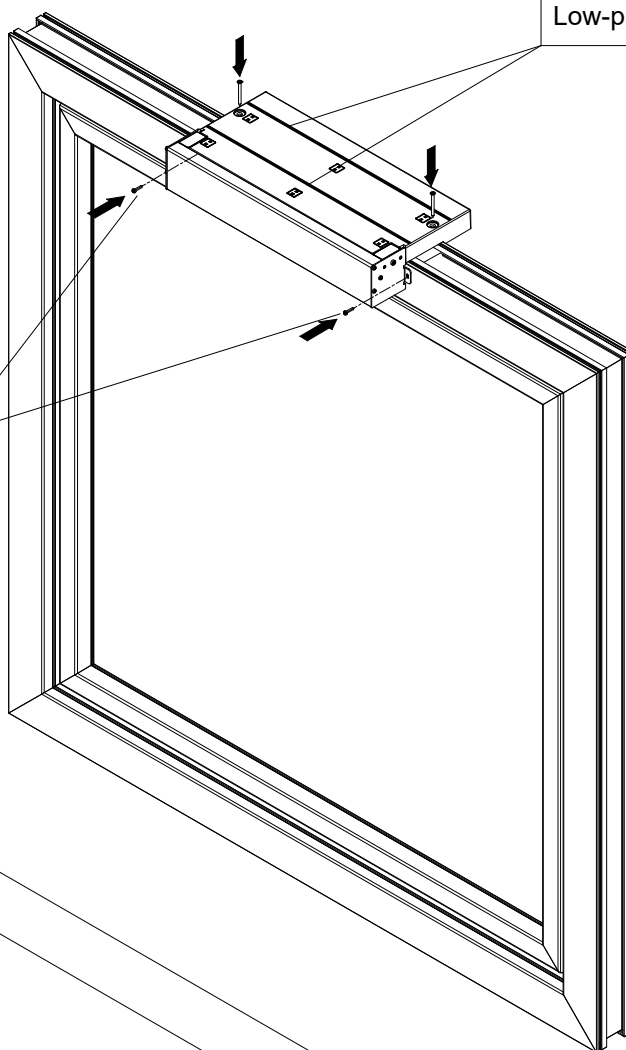
2.



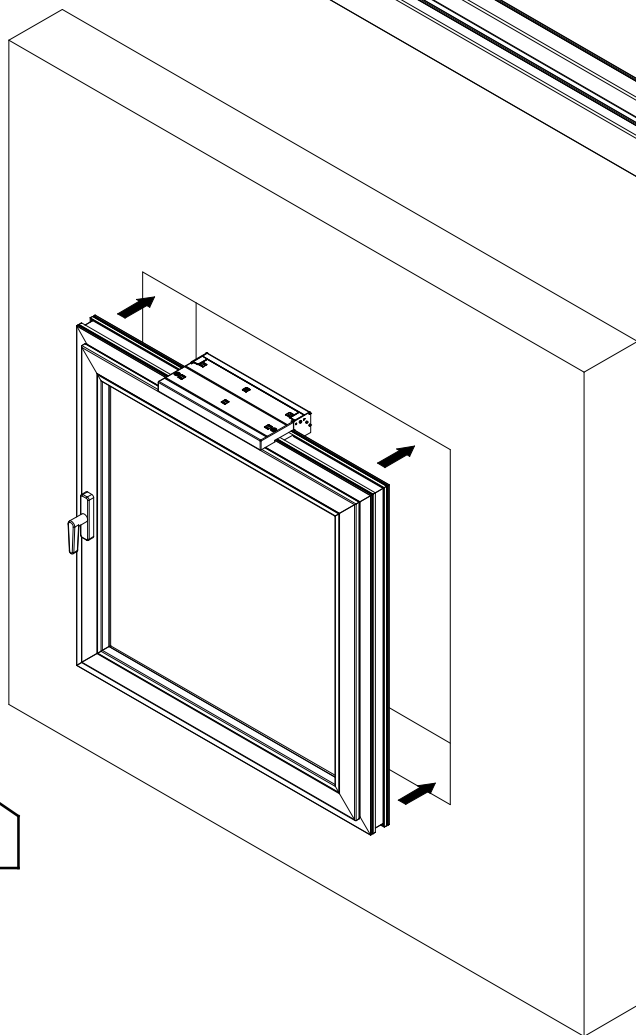
3.

Low-pressure mounting foam

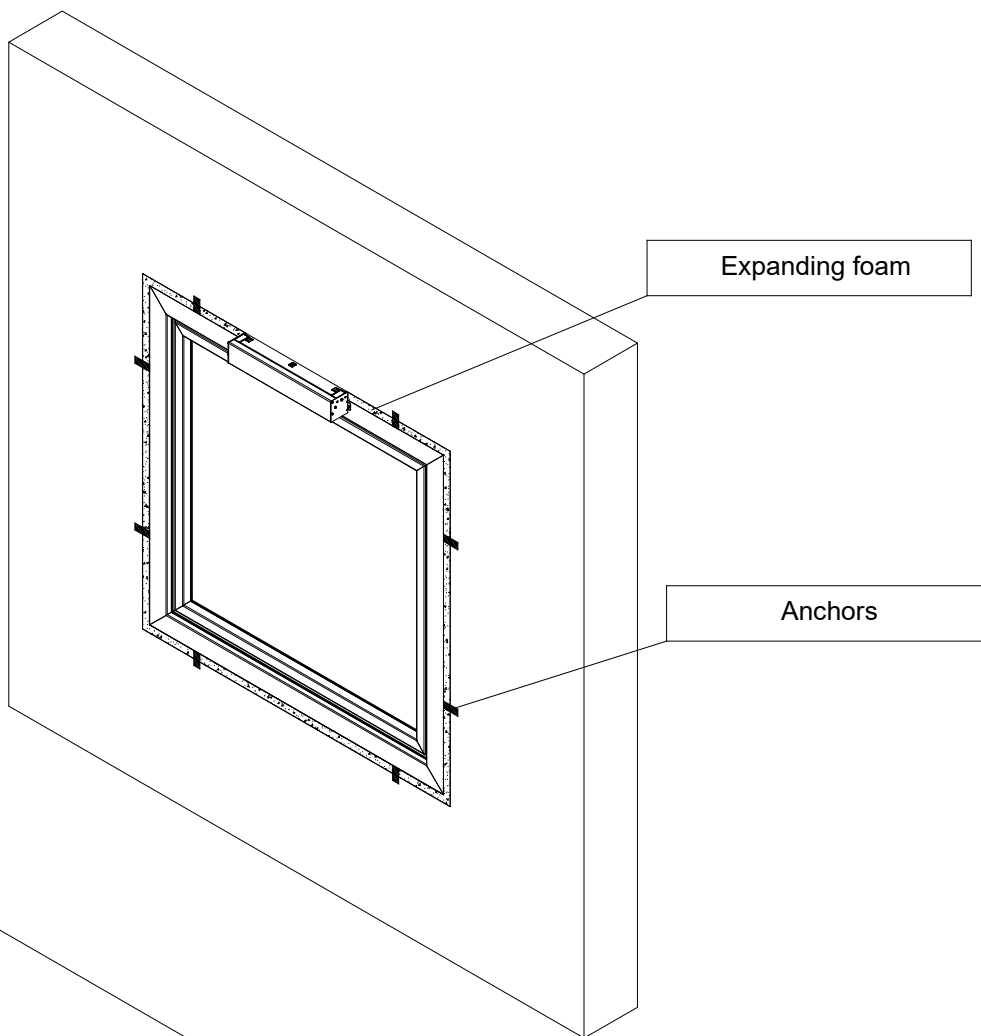
**NOTE!**  
Use a minimum 65mm long bit or a standard bit with an extension for screwing in the screws shown.



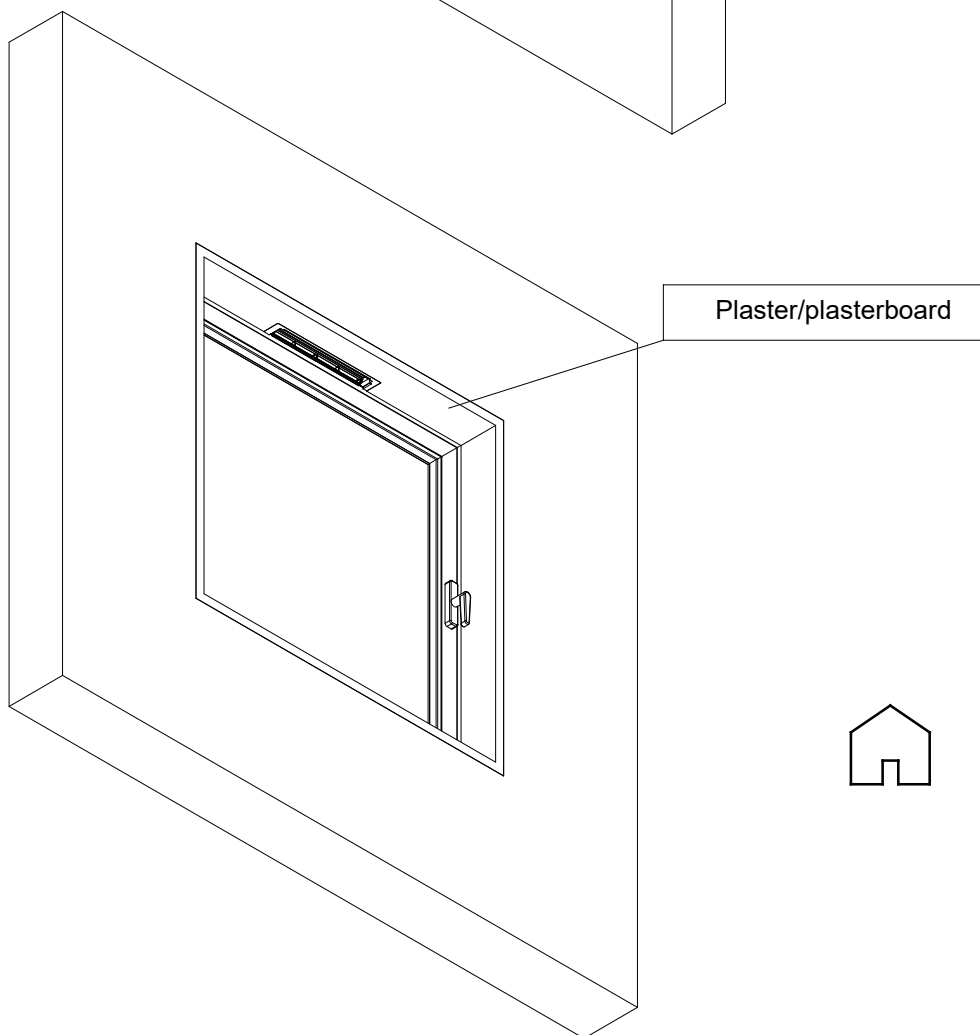
4.



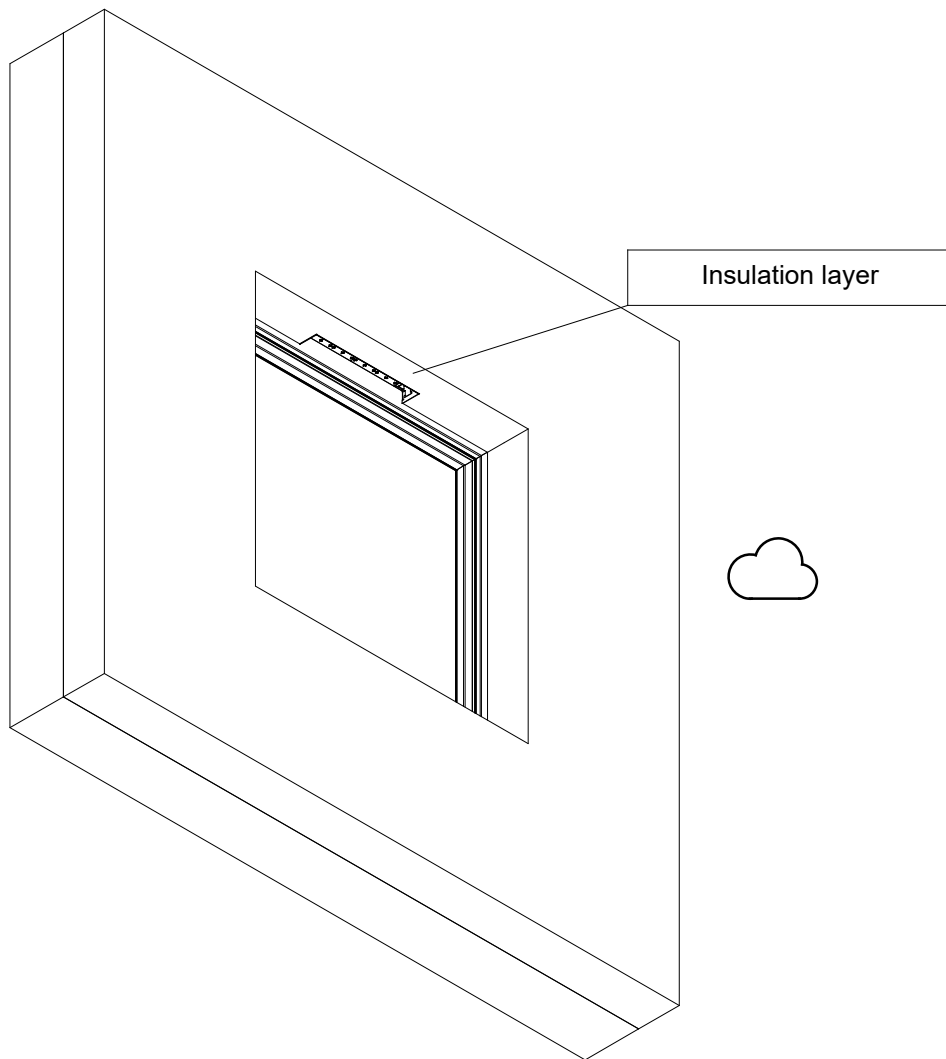
5.



6.

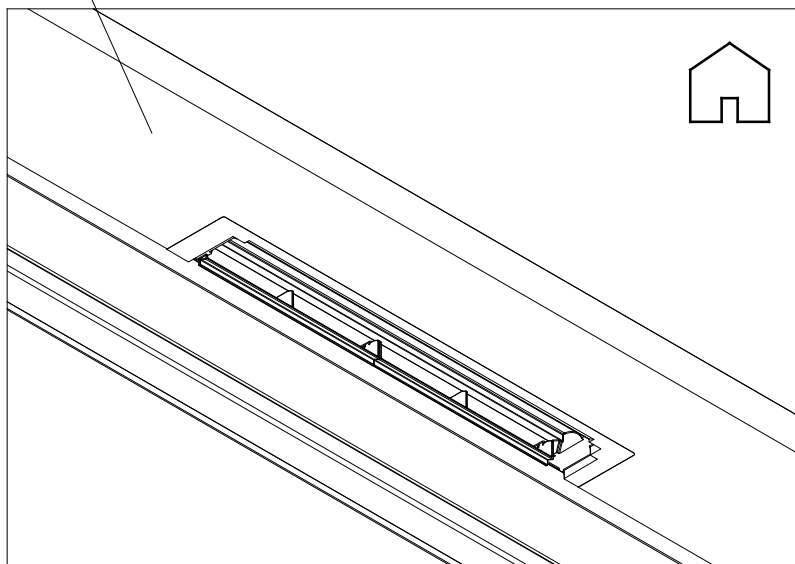


7.

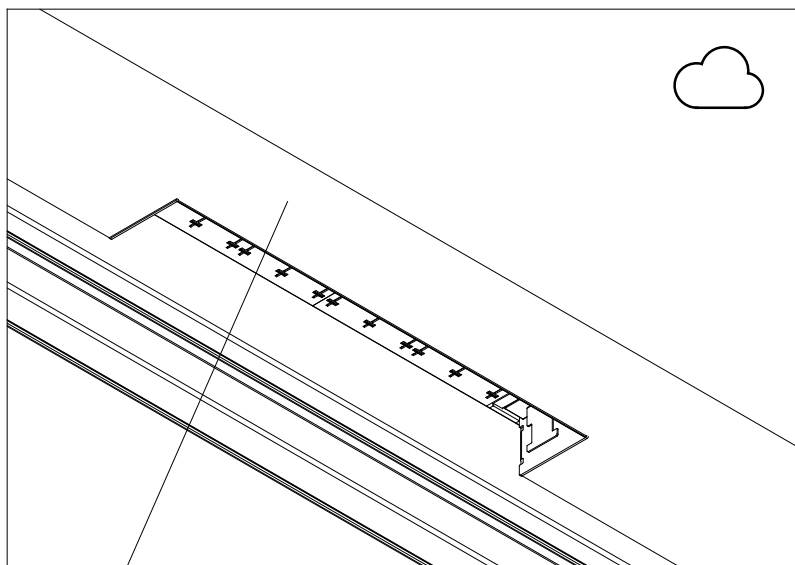


8.

Plaster/plasterboard

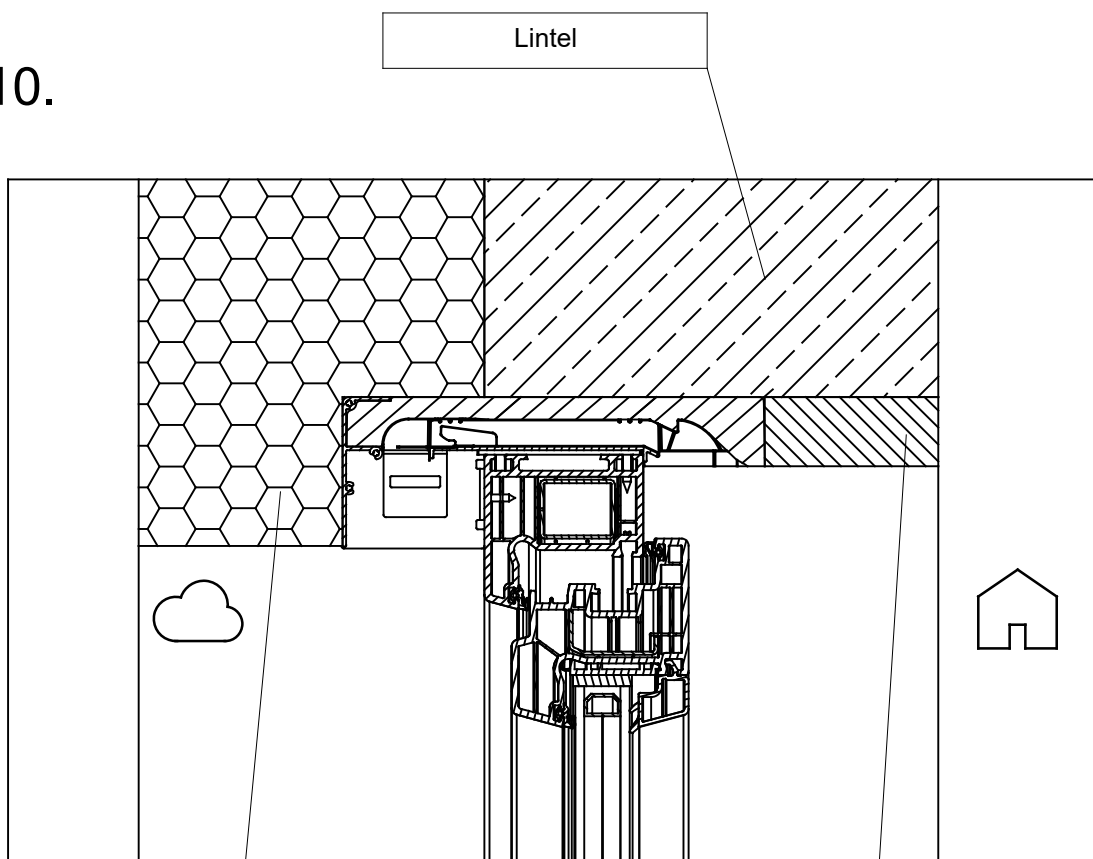


9.



Insulation layer + plaster

10.



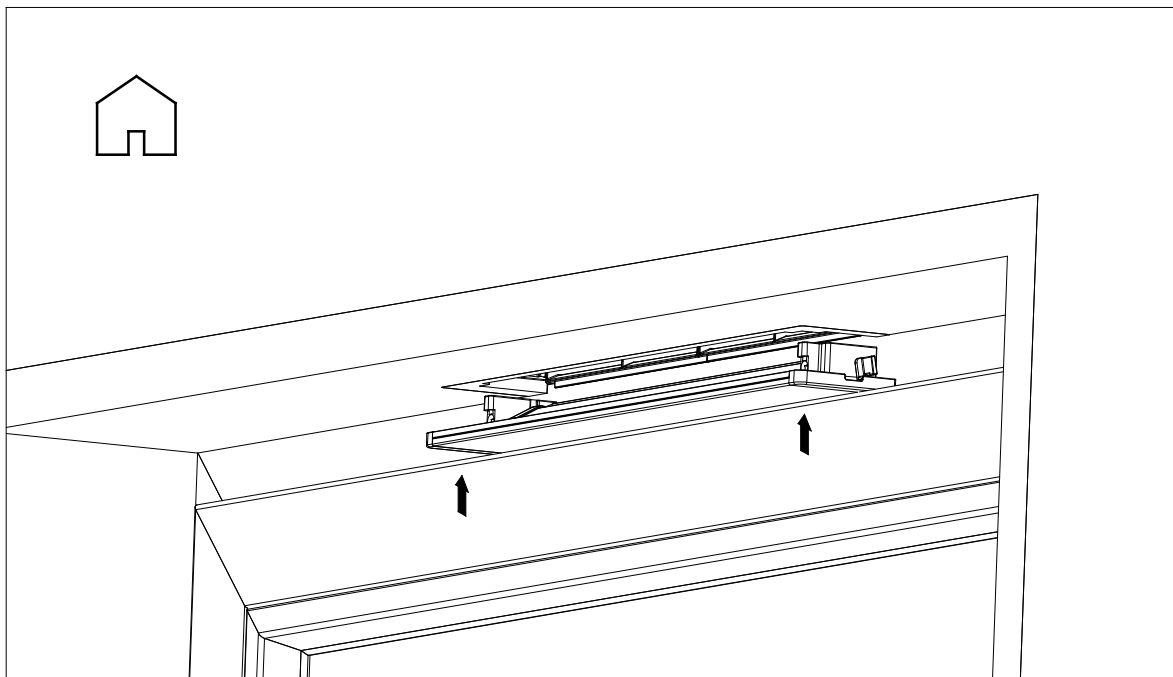
Lintel

Insulation layer + plaster

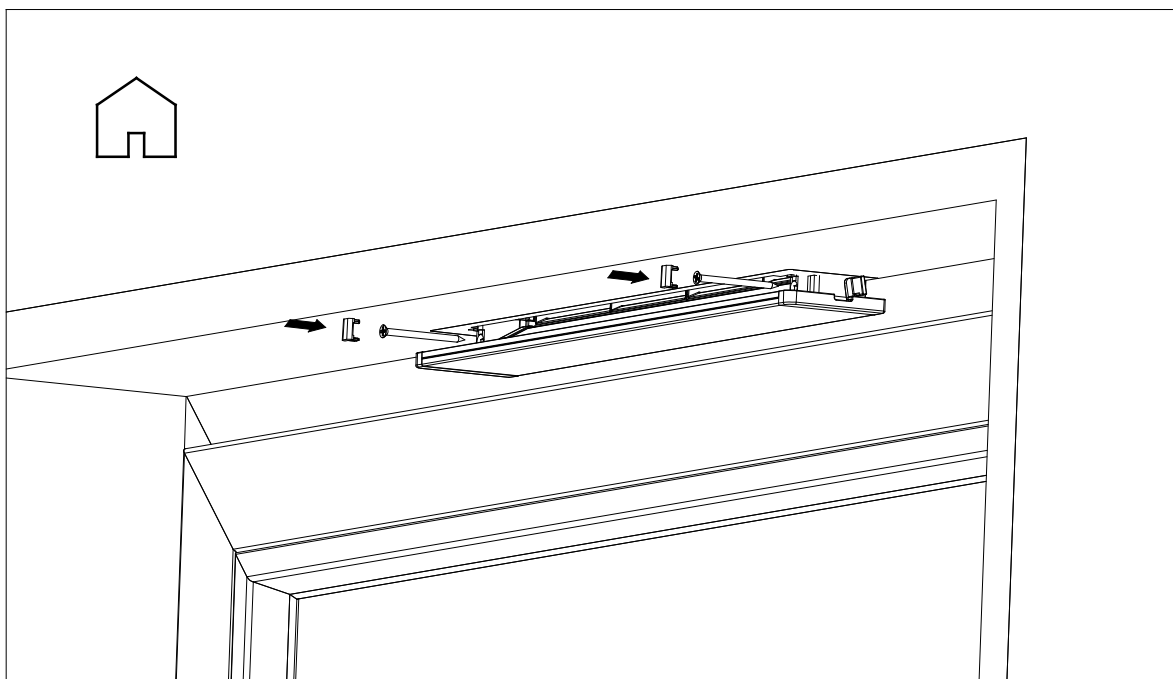
Plaster/plasterboard

11.

Insert the regulator so it is fully seated,  
screw it and cover the screws with plugs.

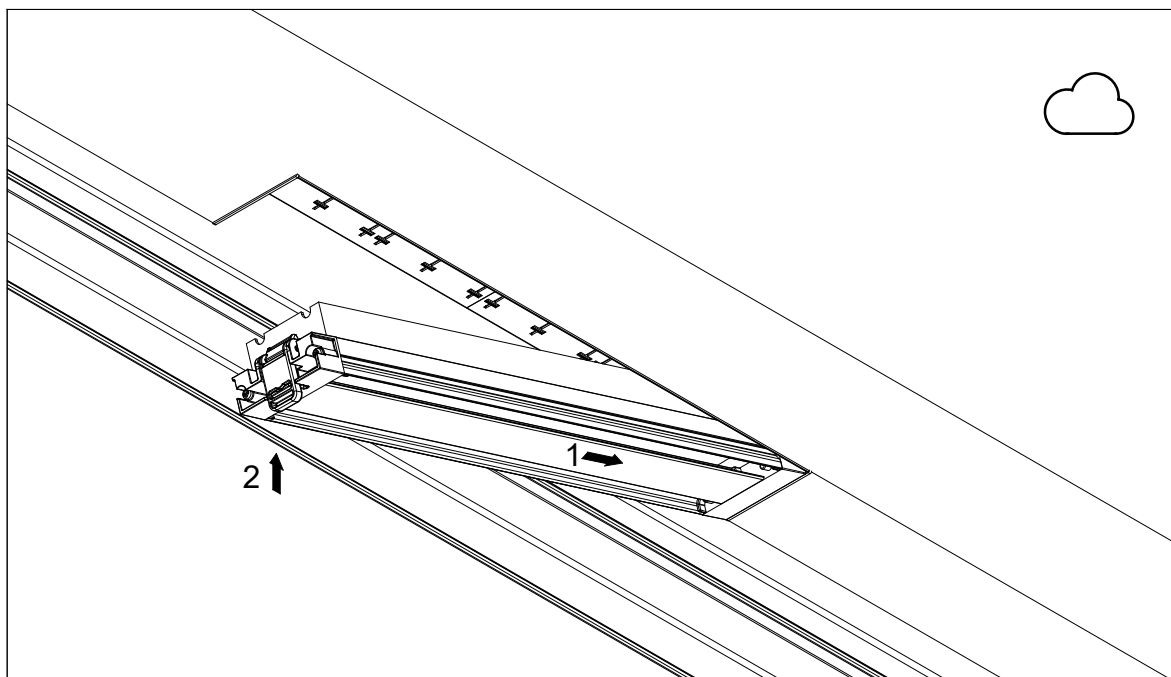
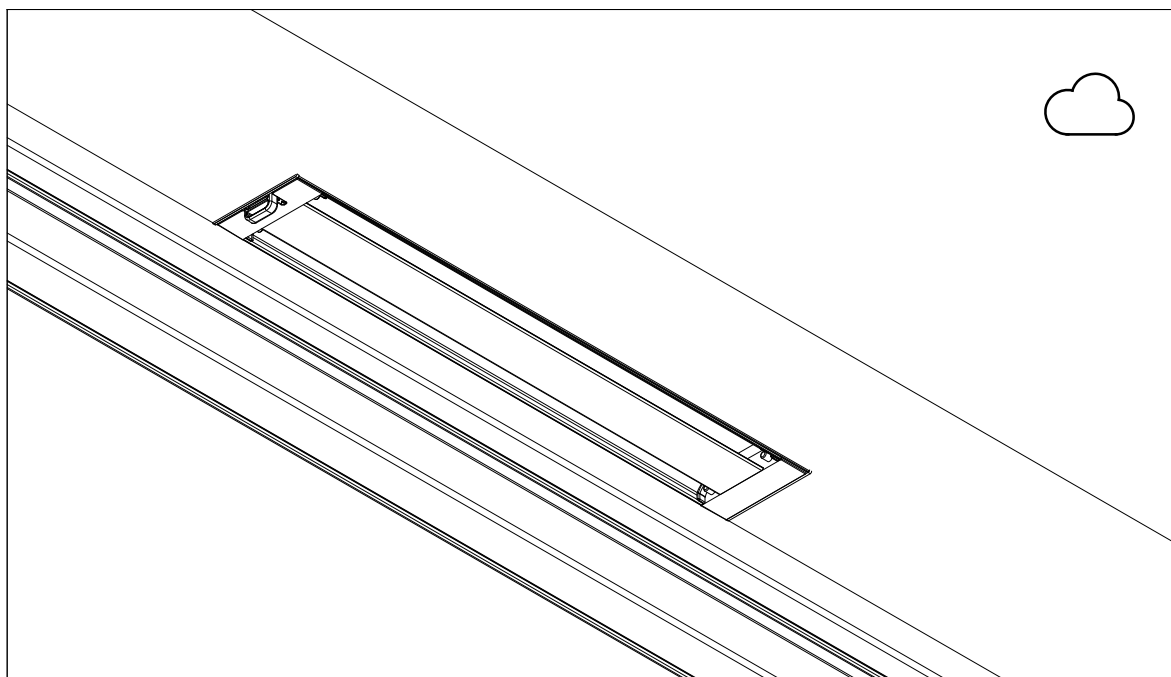


12.

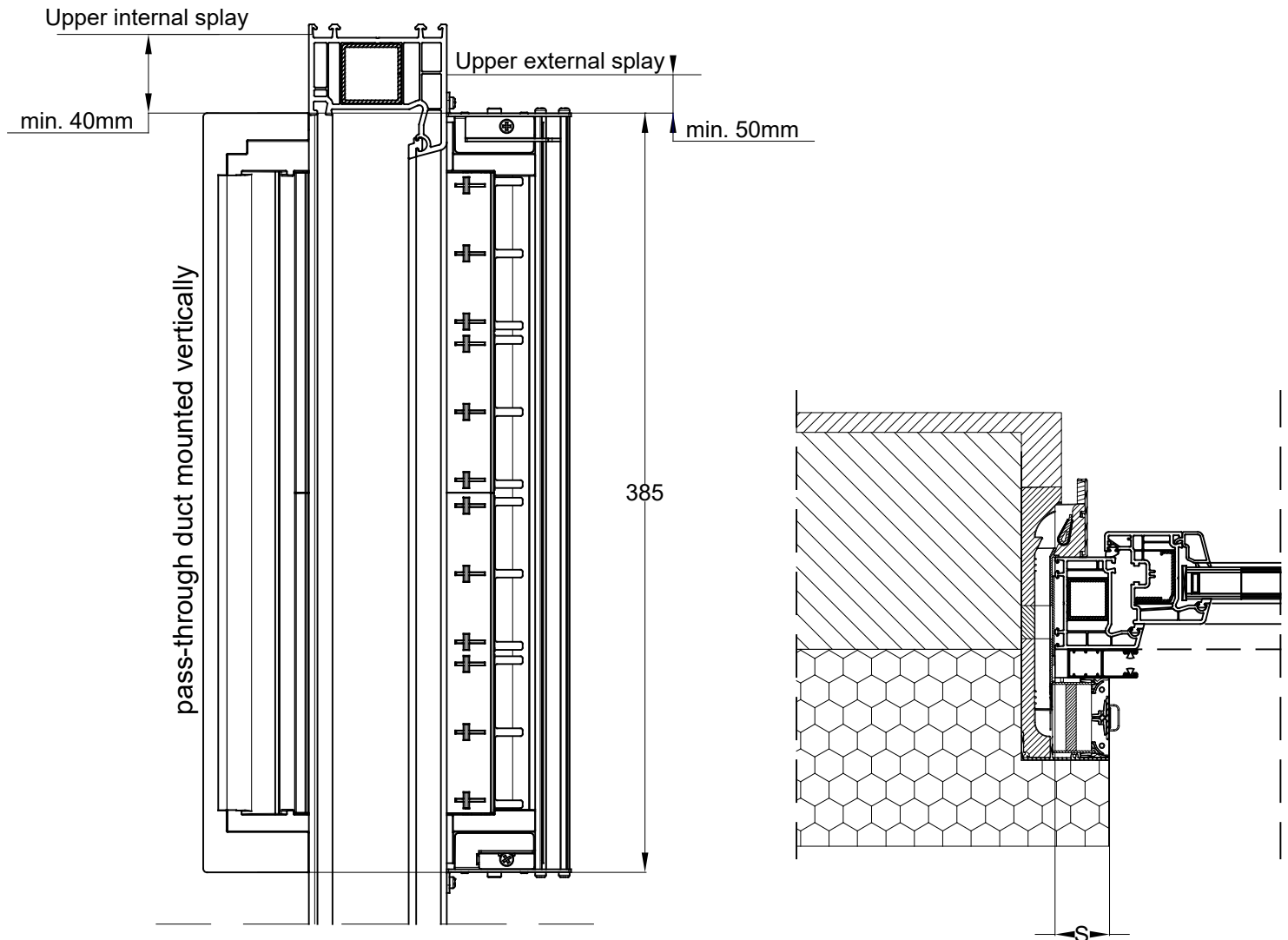


**13.**

Insert the air intake cartridge until it clicks.  
NOTE! The cartridge release button should be on the right side when looking from the inside.

**14.**

Conditions for installing the Insolio ventilator between the window frame and the upper splay



**NOTE!**

- In case of vertical installation it is recommended to install the Insolio ventilator on the handle side (not on the hinge side) or in fixed glazing panel.
- It is not recommended to install Insolio F and NDF in the fixed glazing panel if there is no access to the window from the outside. In such case, filter replacement may be impossible.
- In case of vertical installation on the hinge side, it is necessary to check if there is no collision between the flow regulator and the window sash.
- In case of vertical installation on the hinge side, it is necessary to check if there is no collision between the flow regulator and the hinges.
- It is necessary to check whether current adjustemt of dimension S causes any collision with the roller box access hatch.