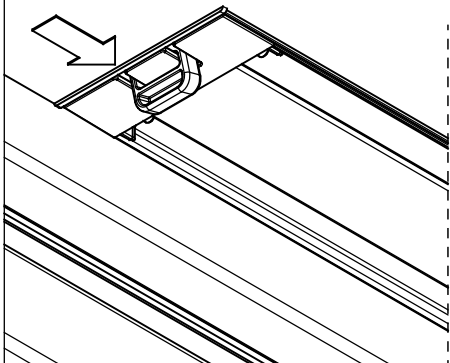
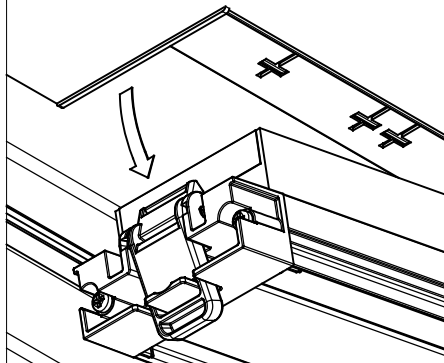


FILTER REPLACEMENT

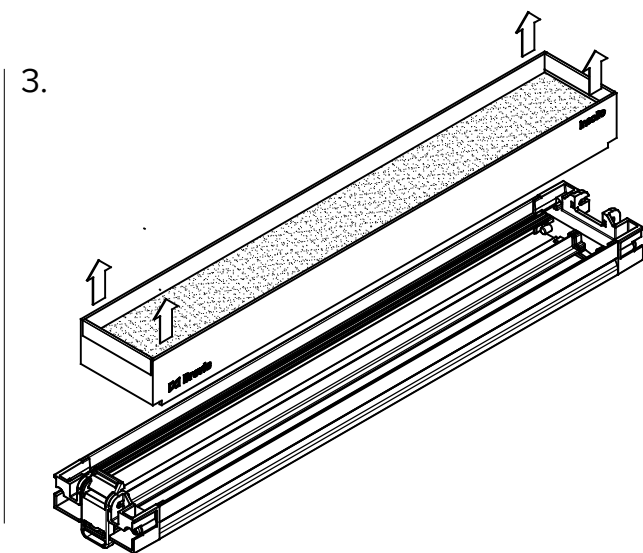
1.



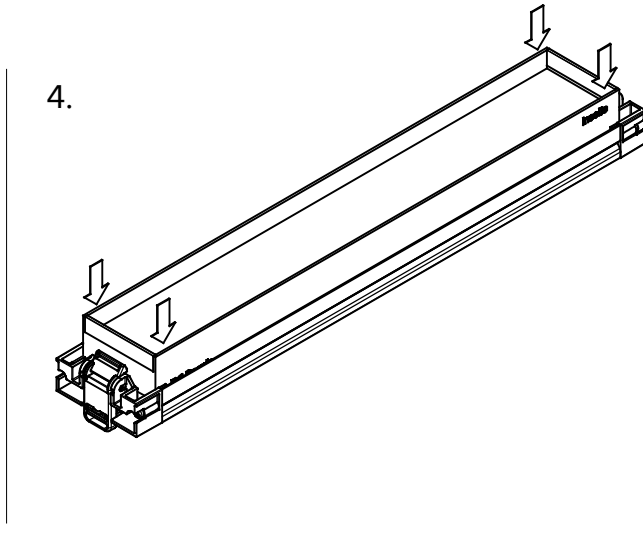
2.



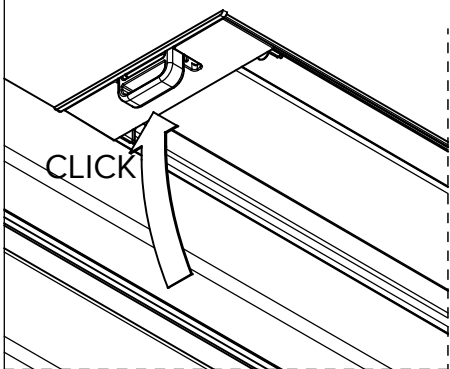
3.



4.



6.



- The filter should be replaced after removing the cassette. After replacing the filter, reinstall the cassette.

- It is permissible to exchange the cassette with a filter for a cassette without a filter, and vice versa. Such an exchange results in a change in the parameters of the air ventilator.

- The filter replacement frequency should be determined based on the extent of exposure of the extraction cassette to pollutants, ensuring it occurs at intervals no longer than every six months.

- The condition of the filter can be visually assessed through the intake slot. A dark color of the filter material indicates its complete wear.

- Exercise caution and adhere to safety regulations when replacing the filter, especially observing height-related and occupational health and safety guidelines.