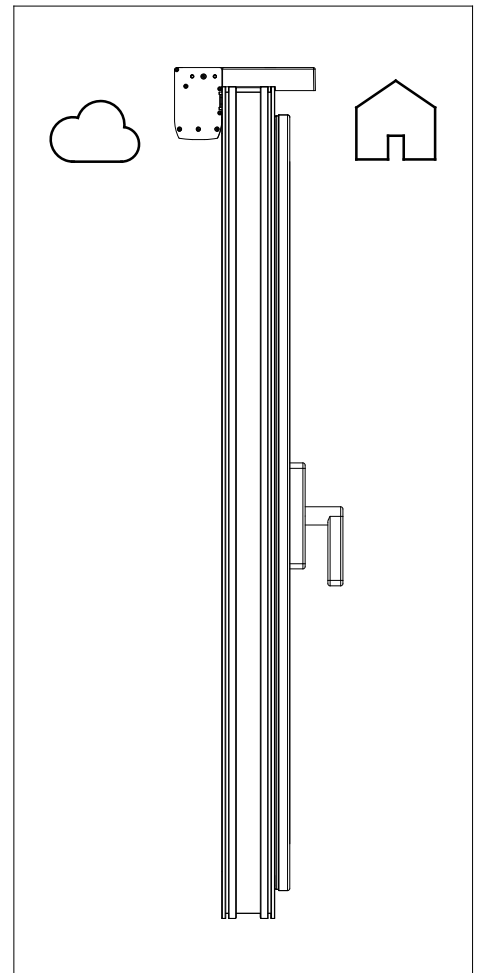
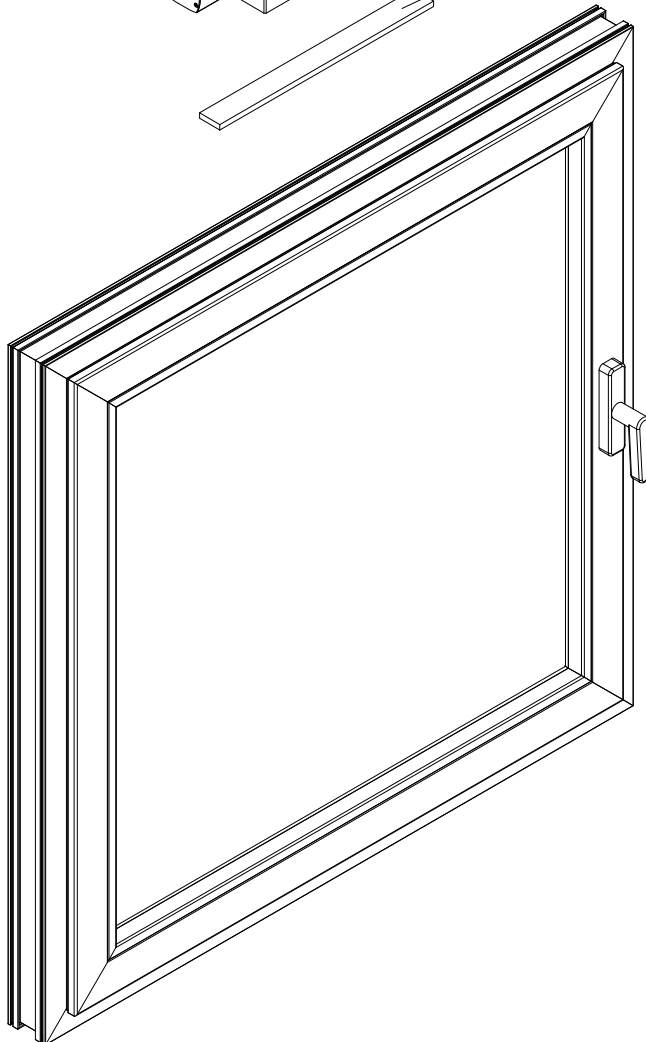
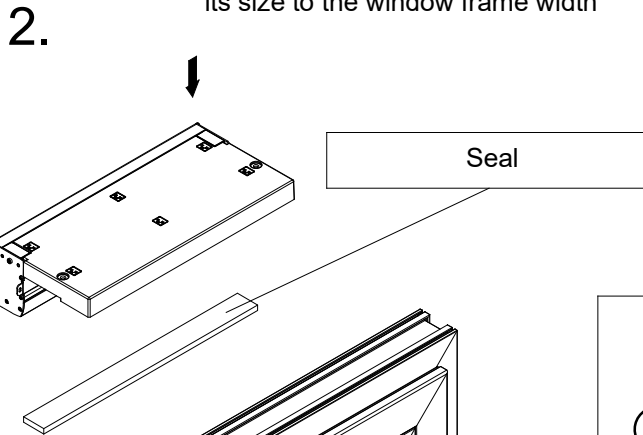


*Available duct ranges for Insolio:
70-83 mm
84-94 mm
95-120 mm
121-250 mm
251-350 mm

Slide apart the pass-through duct to adjust its size to the window frame width

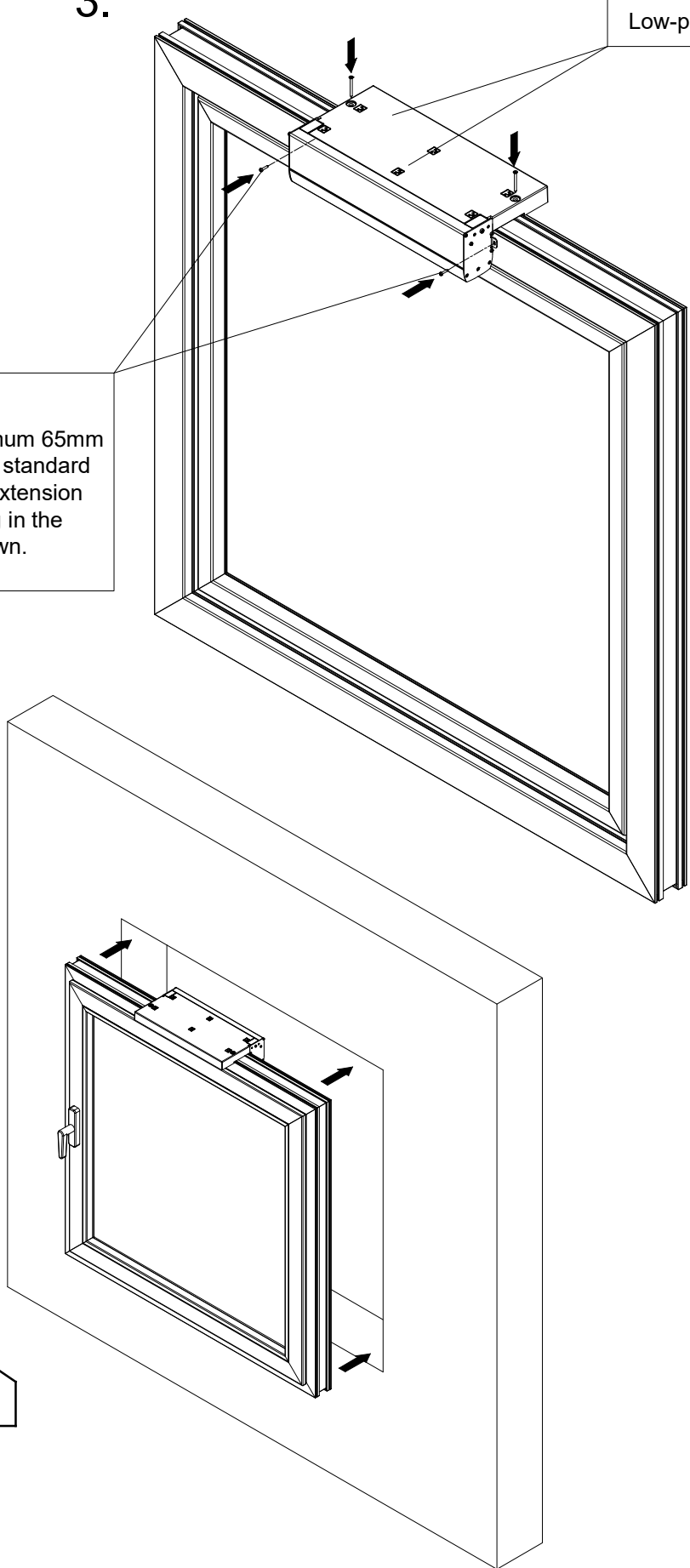


3.

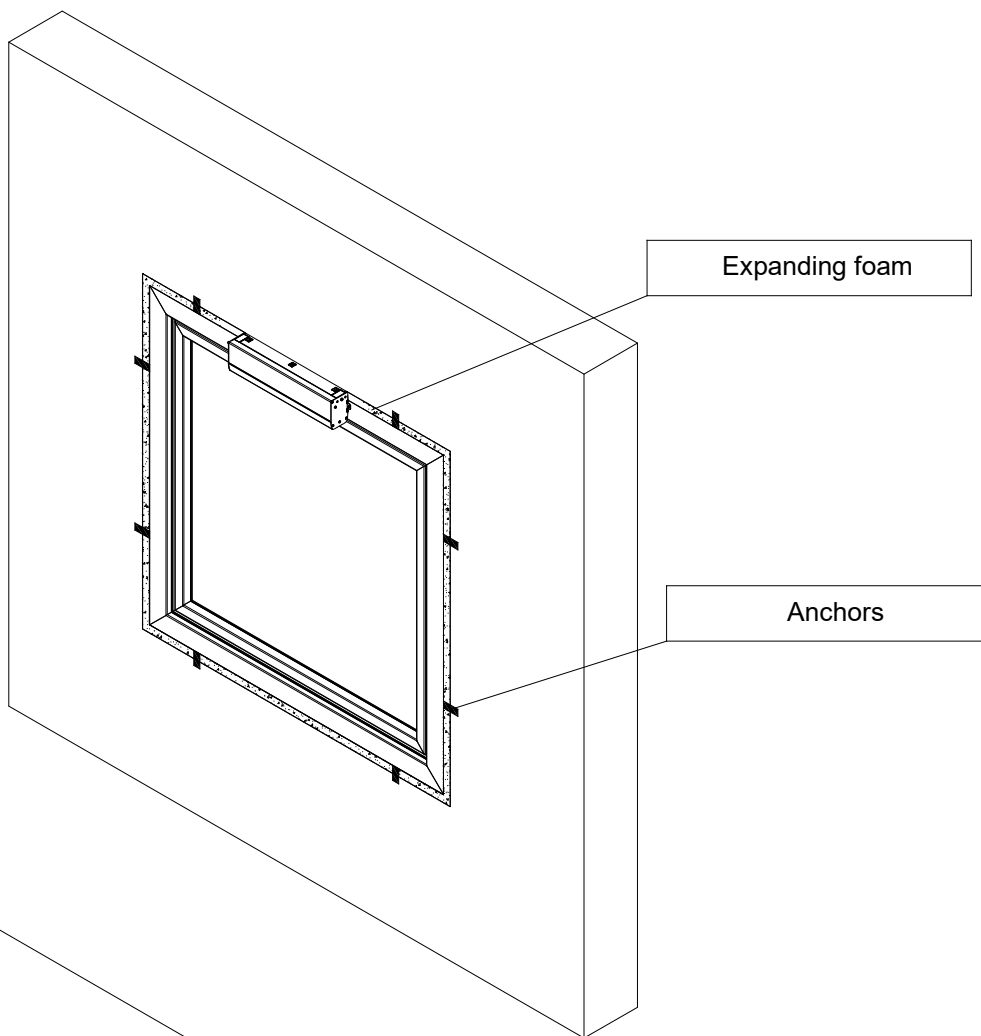
Low-pressure mounting foam

NOTE!
Use a minimum 65mm long bit or a standard bit with an extension for screwing in the screws shown.

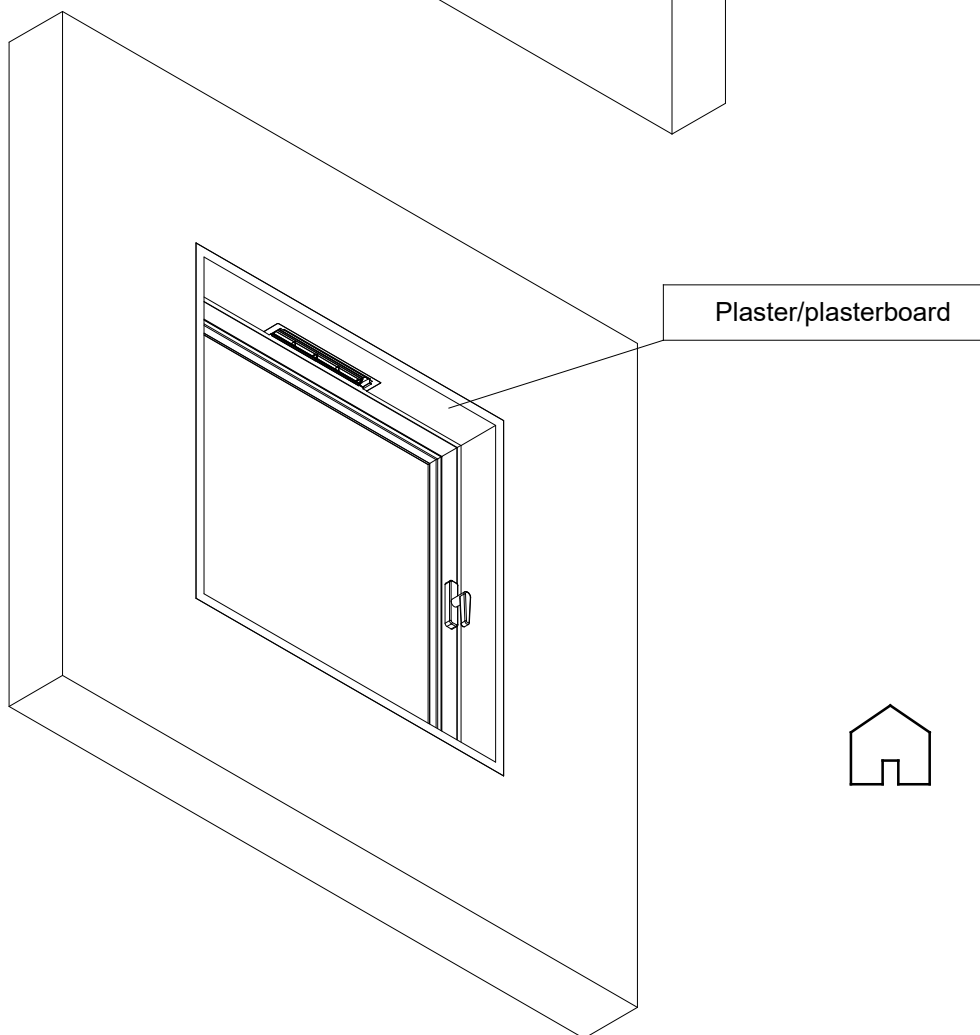
4.



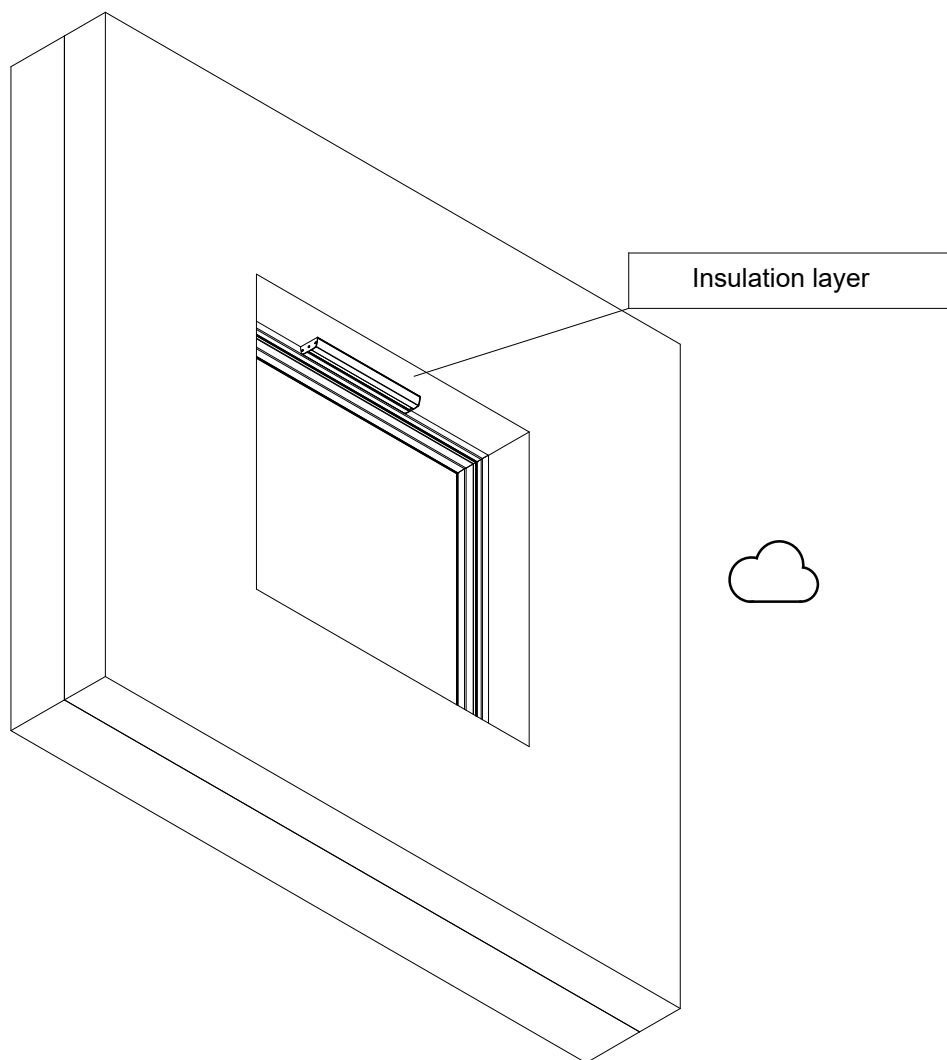
5.



6.

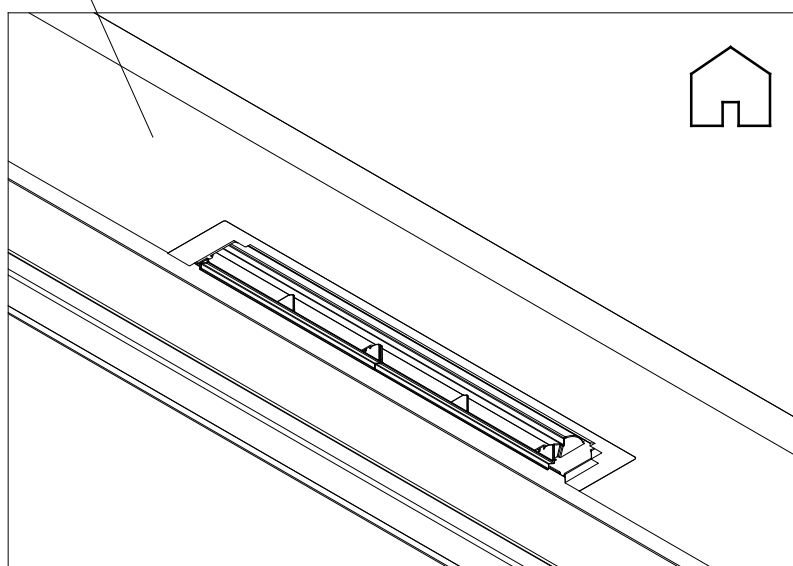


7.

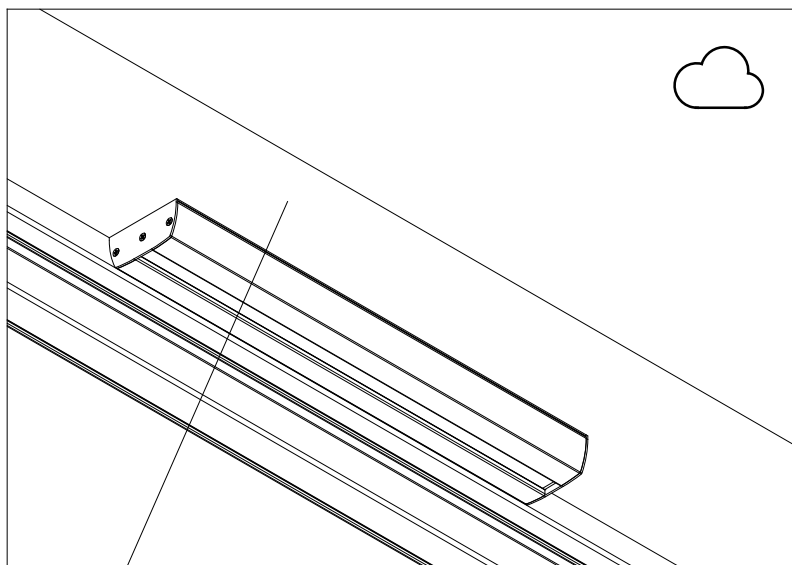


8.

Plaster/plasterboard

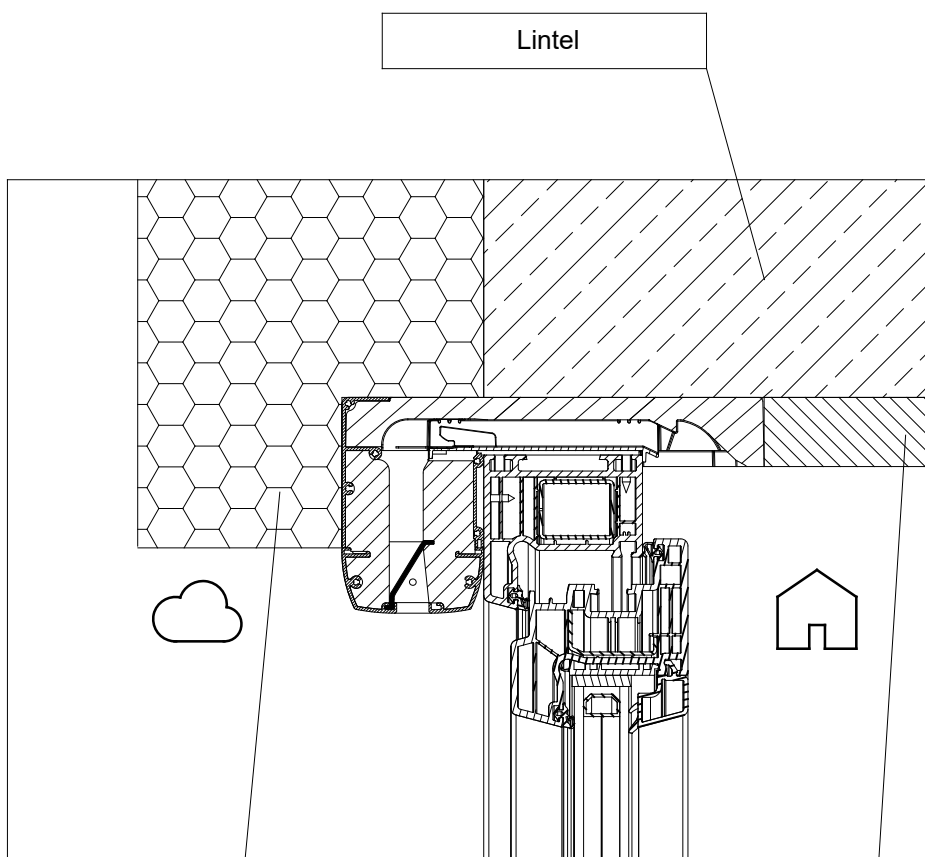


9.



Insulation layer + plaster

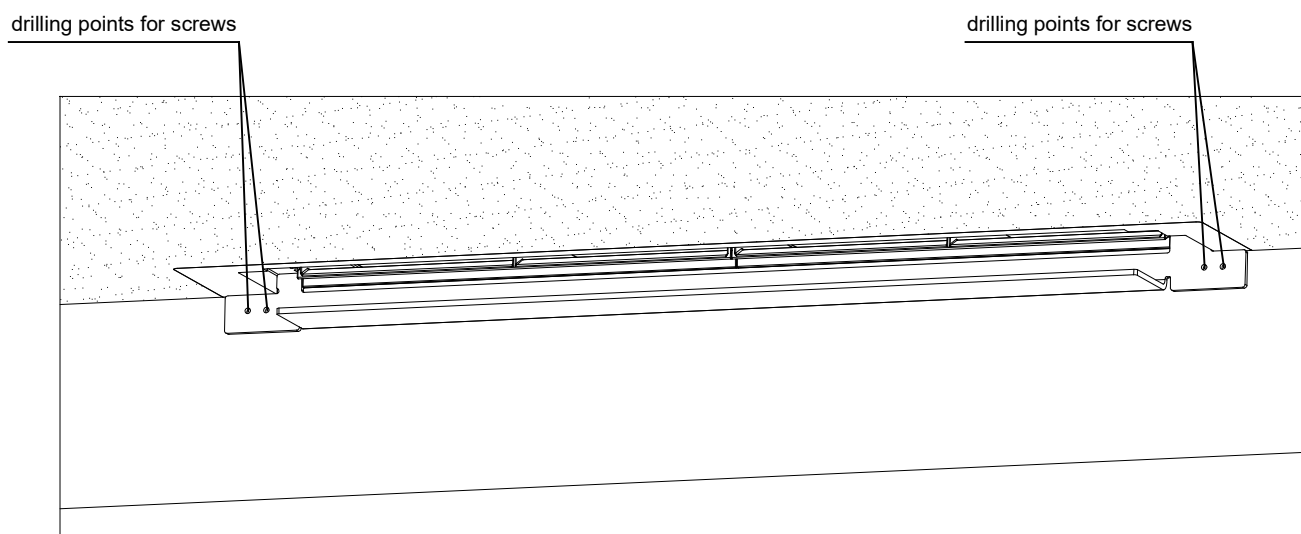
10.



Insulation layer + plaster

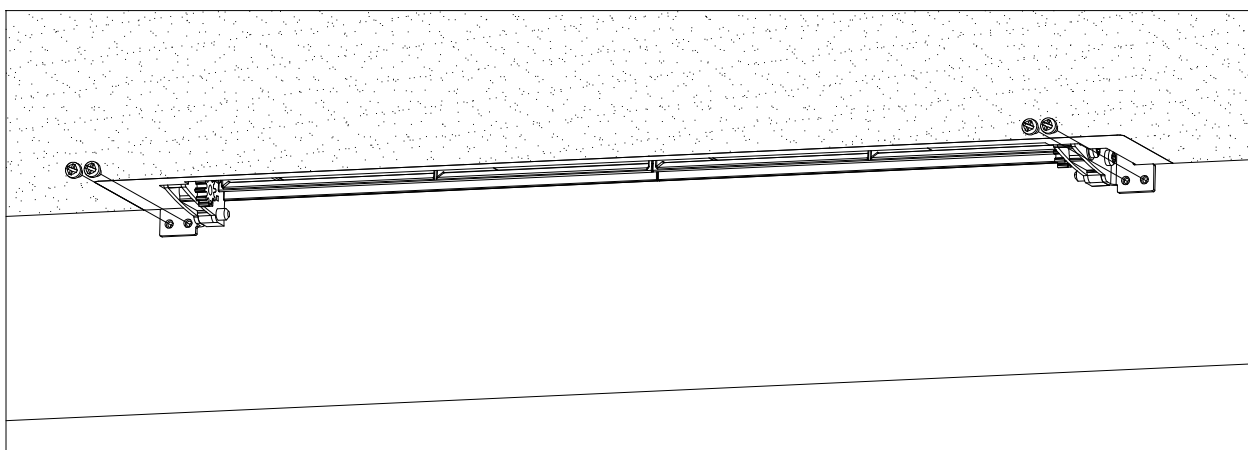
Plaster/plasterboard

11.



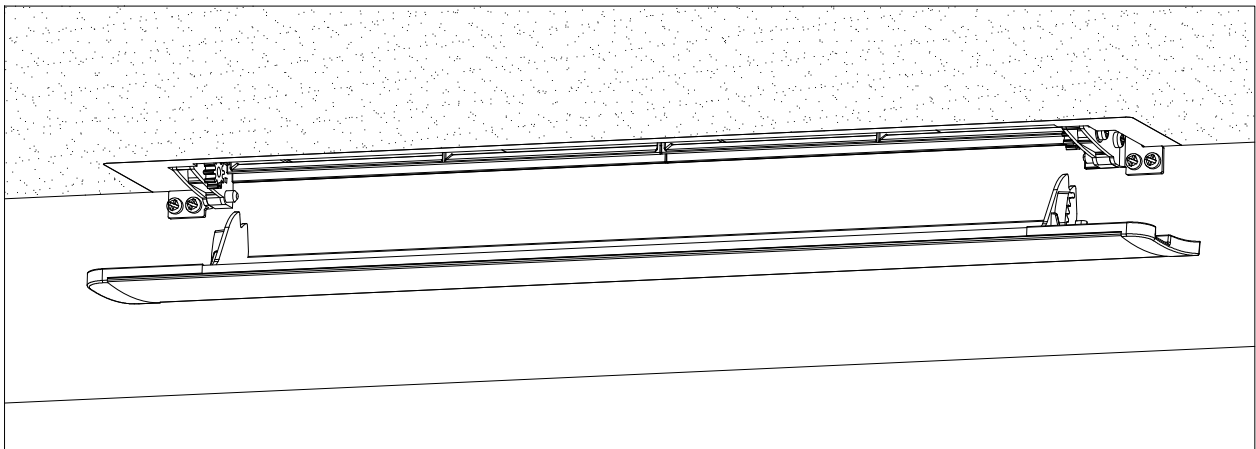
Insert the drilling guide into the pass-through duct as shown in the drawing. The drill guide should rest against the bottom surface of the pass-through duct. Then, drill four holes in the window frame with a diameter matching the holes in the drilling guide: 2.5 mm for aluminum windows and 2.0 mm for PVC and wooden windows.

12.



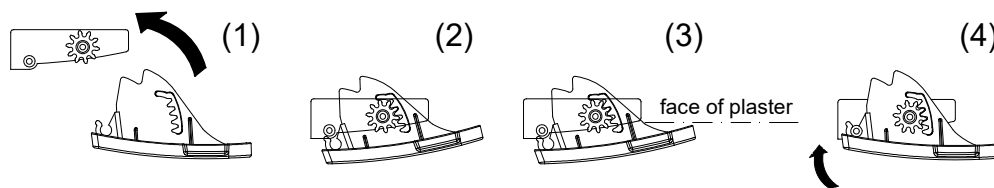
Place the supports into the pass-through duct as shown in the drawing. Then, screw the supports to the window frame into previously drilled holes using four $\text{Ø}2.9$ mm screws.

13.

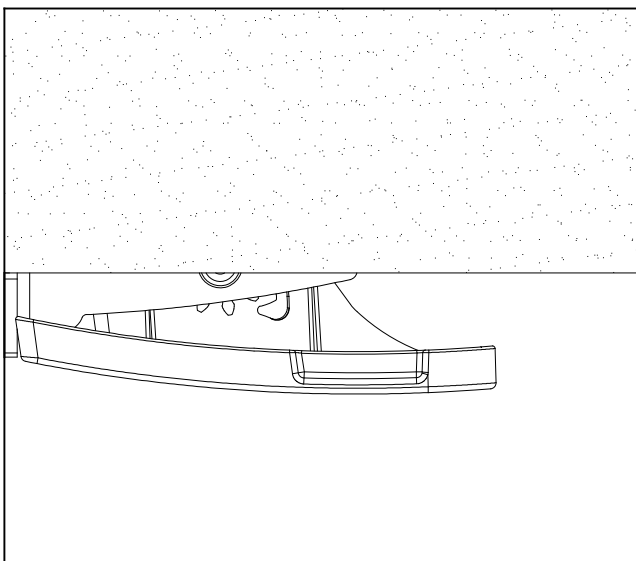


Using a rotating motion (1), move the regulator so that the gears connect (2). Rest the regulator against the lower edge of the pass-through duct (3). Then, connect the ends of the regulator to the shafts located in the supports using a click mechanism (4).

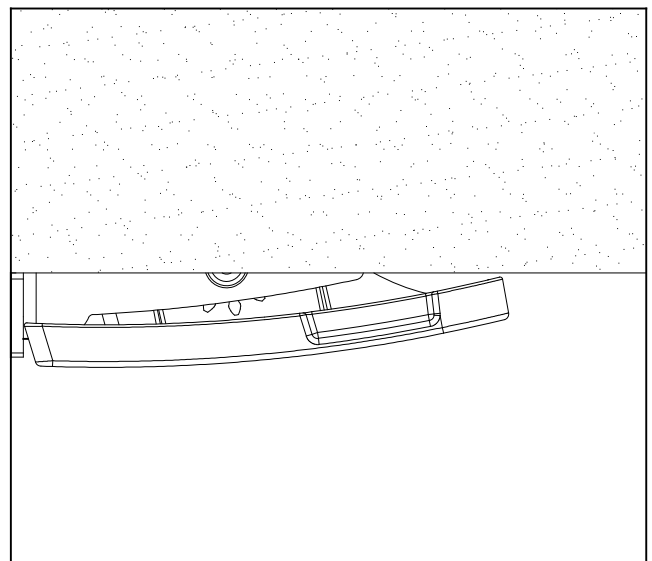
Simplified assembly of the gear mechanism



14.

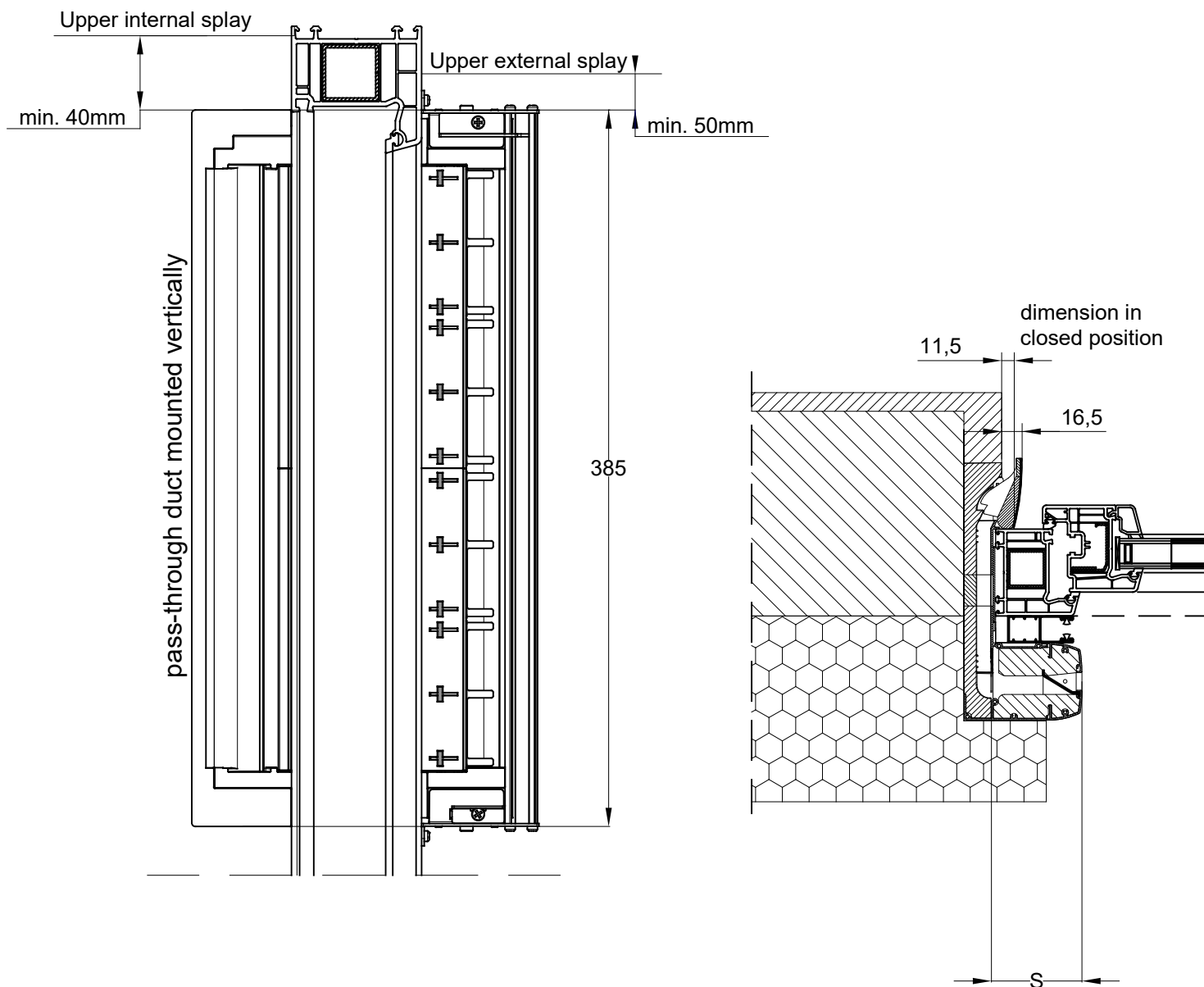


Regulator open



Regulator closed

Conditions for installing the Insolio ventilator between the window frame and the upper splay



NOTE!

- In case of vertical installation it is recommended to install the Insolio Wave ventilator on the handle side (not on the hinge side) or in fixed glazing panel.
- In case of vertical installation on the hinge side, it is necessary to check if there is no collision between the flow regulator and the window sash.
- In case of vertical installation on the hinge side, it is necessary to check if there is no collision between the flow regulator and the hinges.
- It is necessary to check whether current adjustemt of dimension S causes any collision with the roller box access hatch.