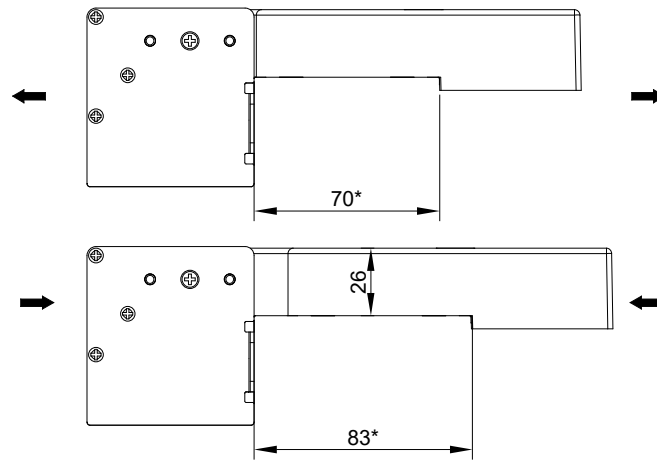


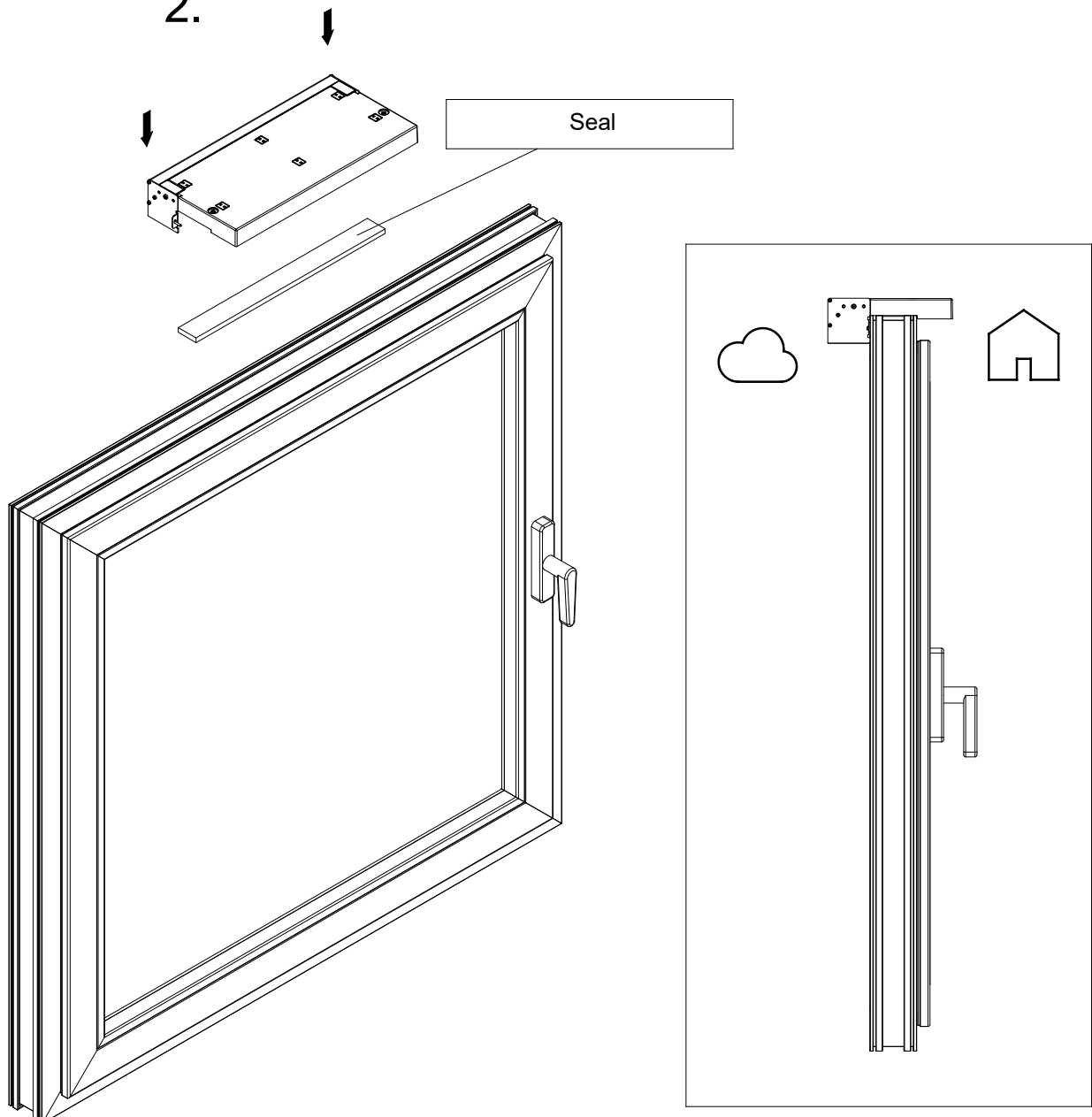
1.



*Available duct ranges for Insolio:
70-83 mm
84-94 mm
95-120 mm
121-250 mm
251-350 mm

Slide apart the pass-through duct to adjust its size to the window frame width

2.

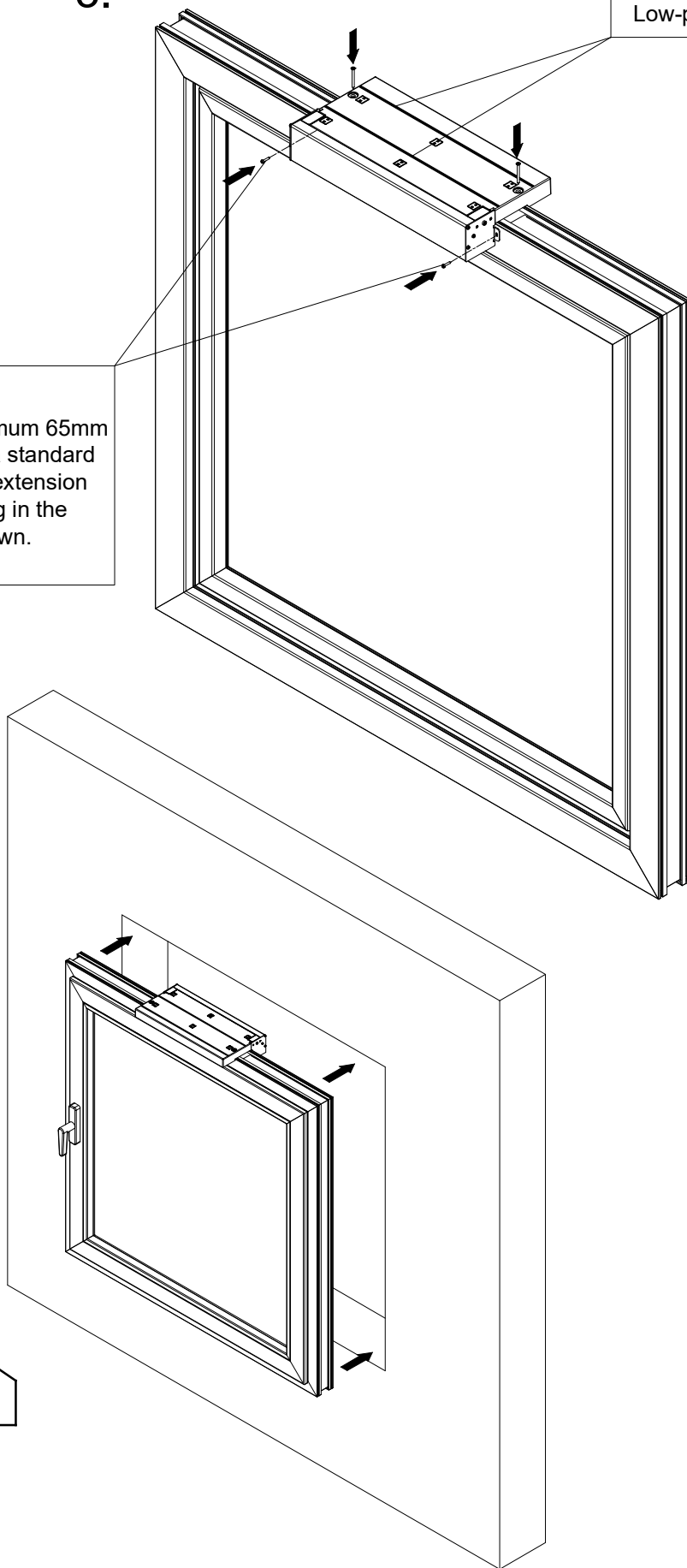


3.

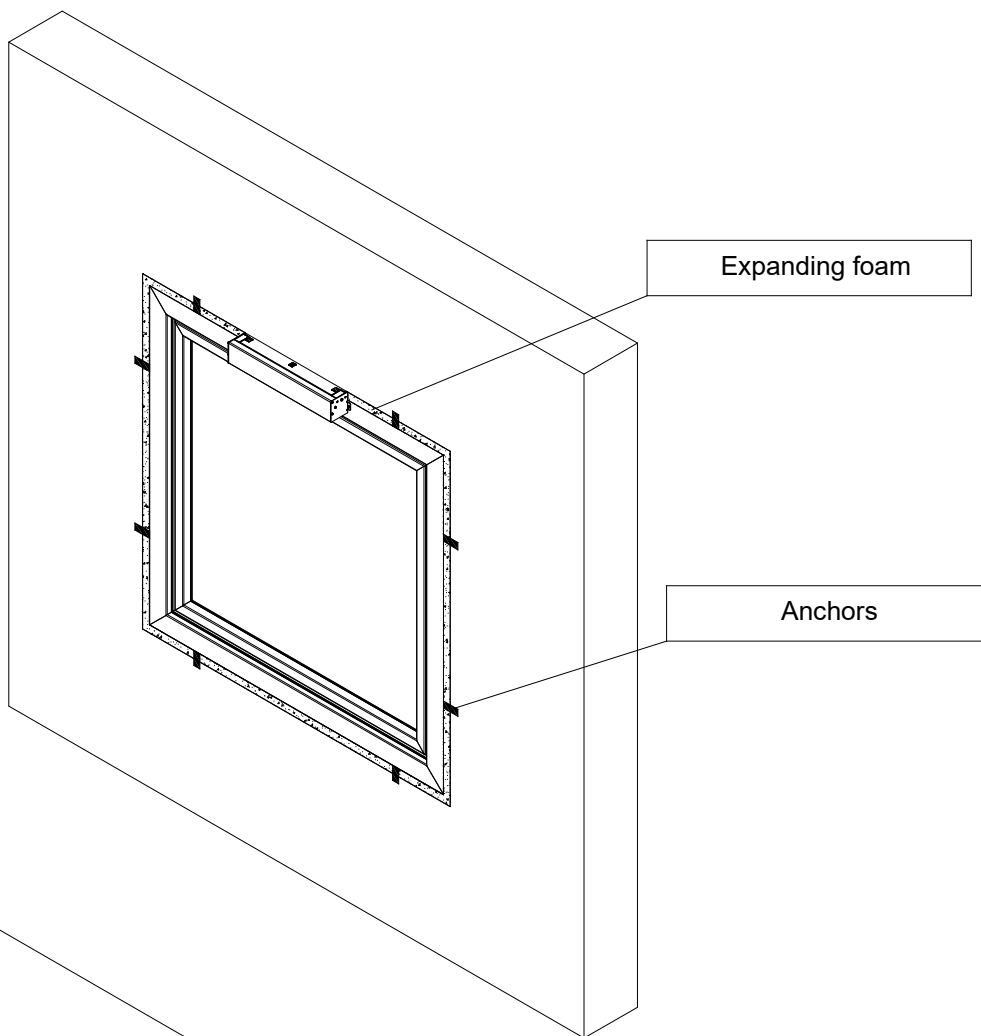
Low-pressure mounting foam

NOTE!
Use a minimum 65mm long bit or a standard bit with an extension for screwing in the screws shown.

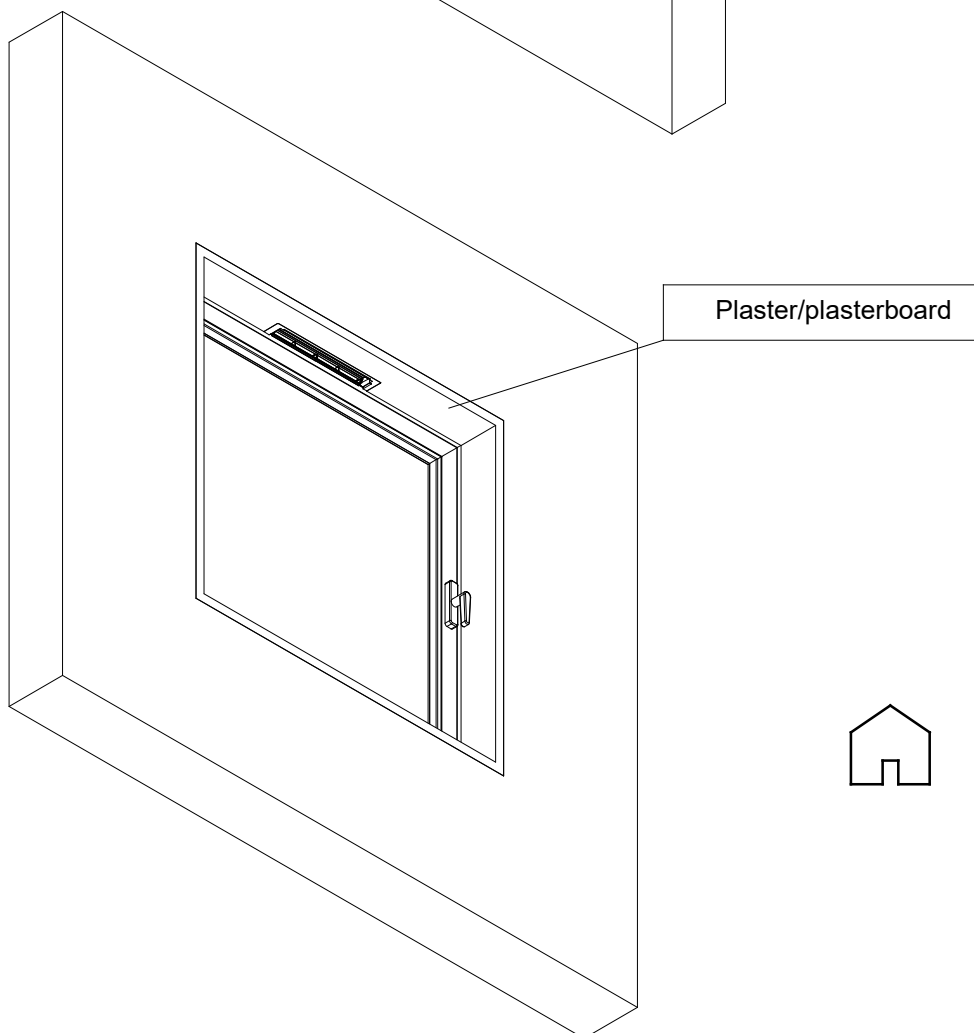
4.



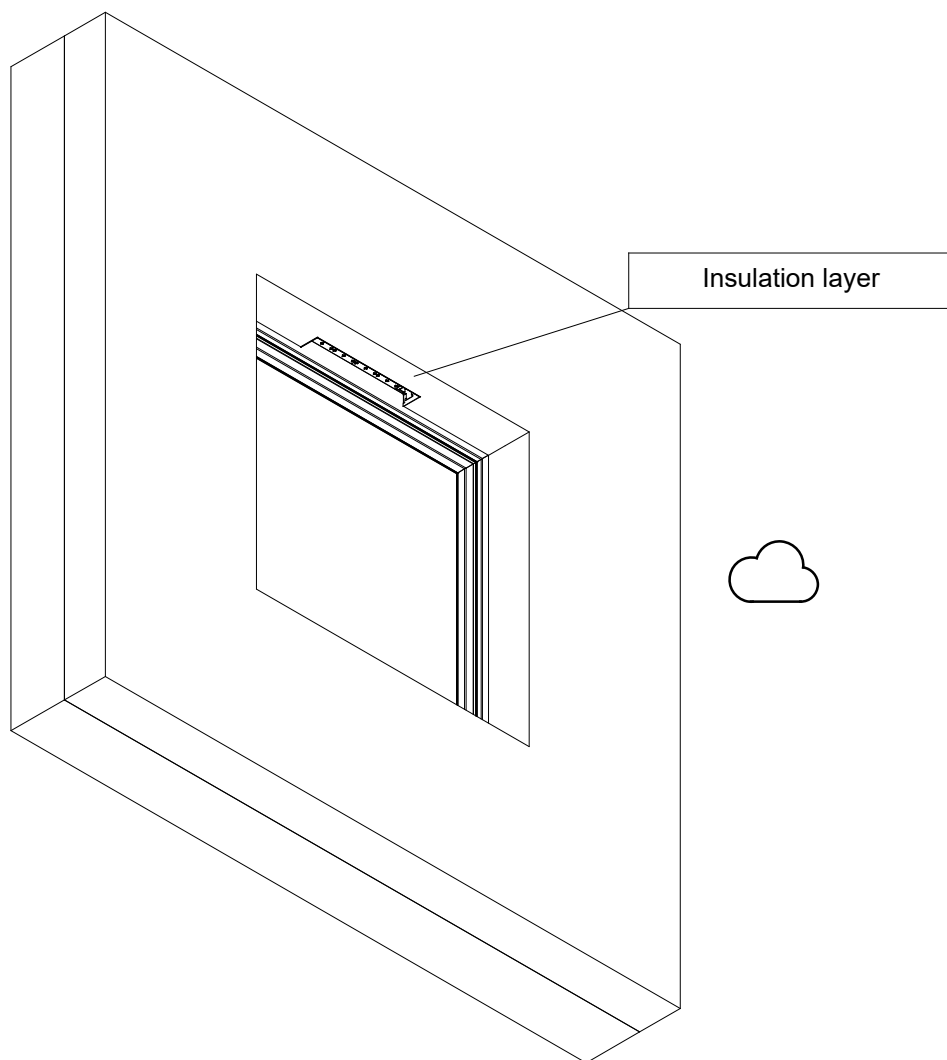
5.



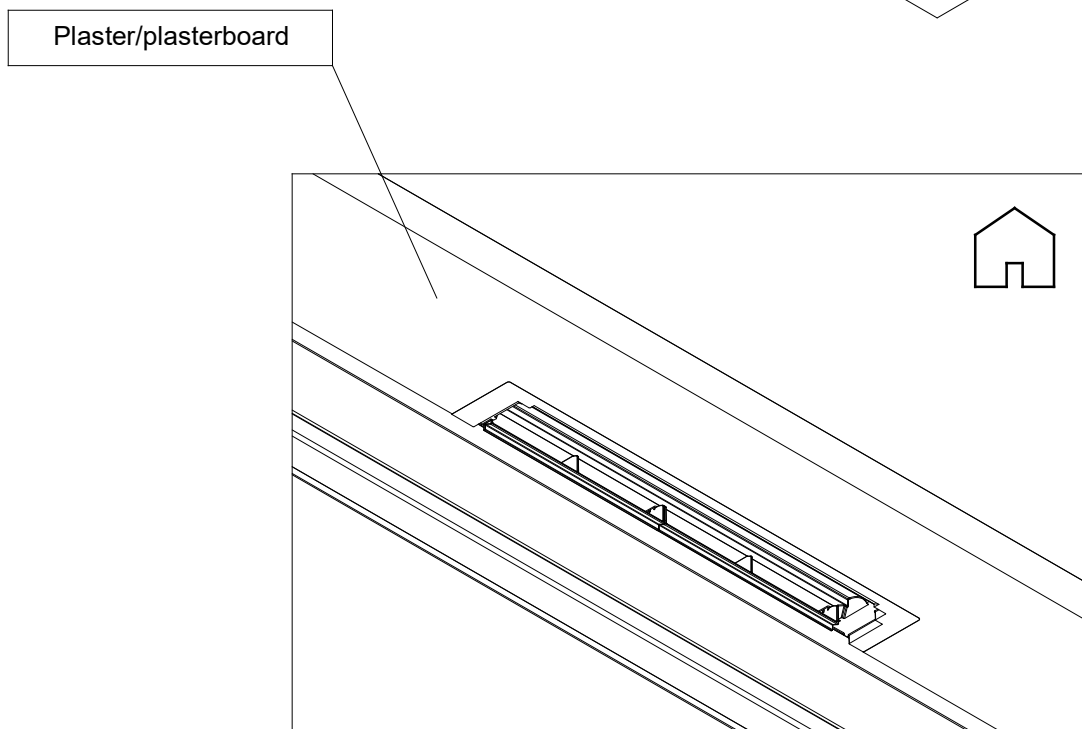
6.



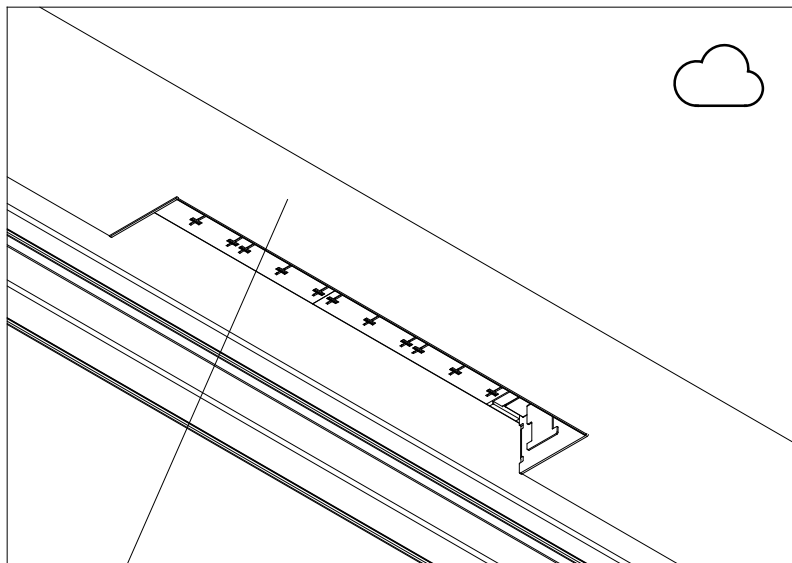
7.



8.

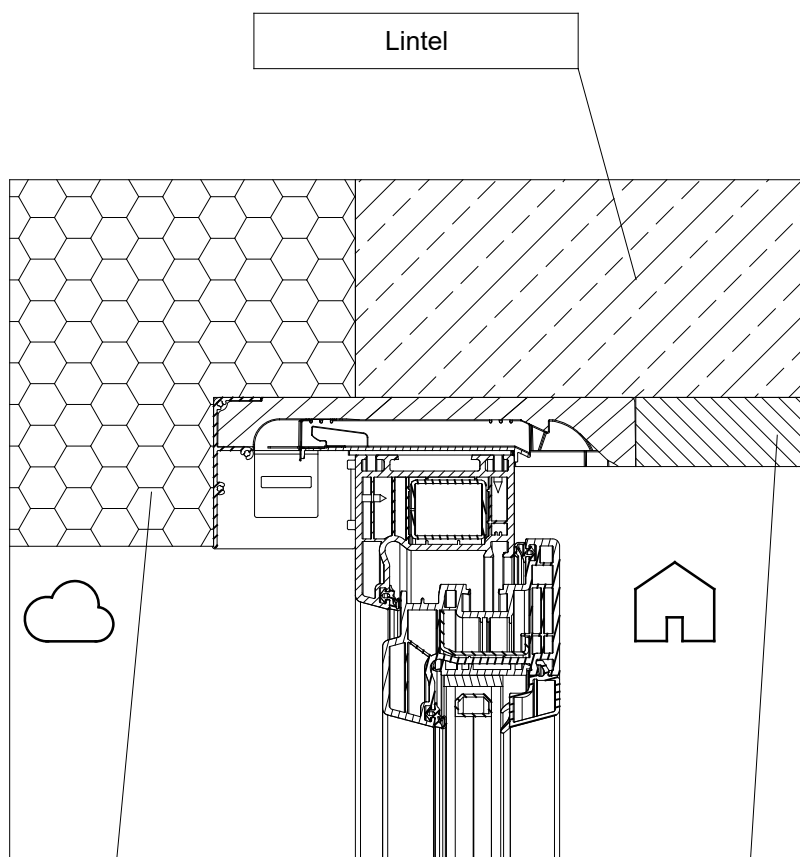


9.



Insulation layer + plaster

10.



Lintel

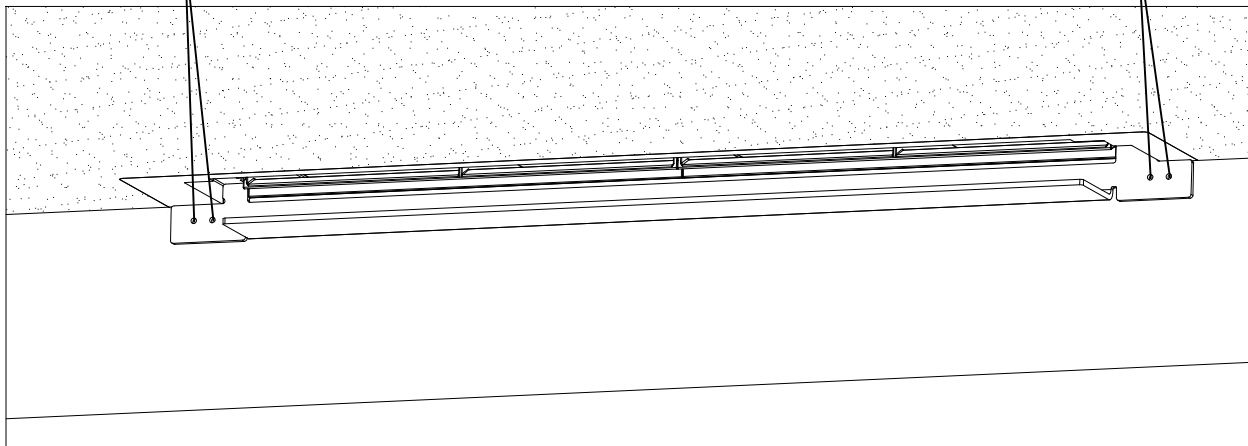
Insulation layer + plaster

Plaster/plasterboard

11.

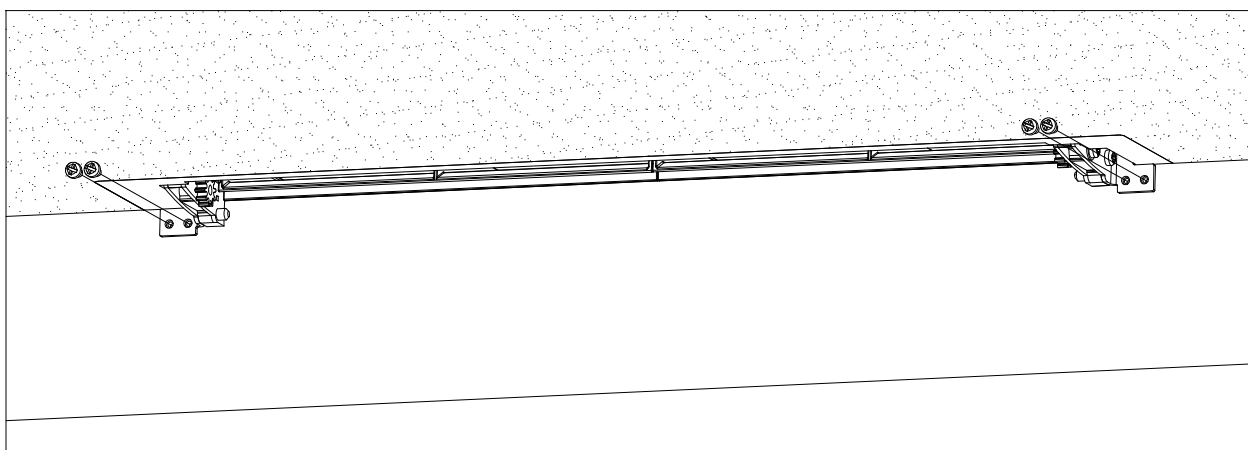
drilling points for screws

drilling points for screws



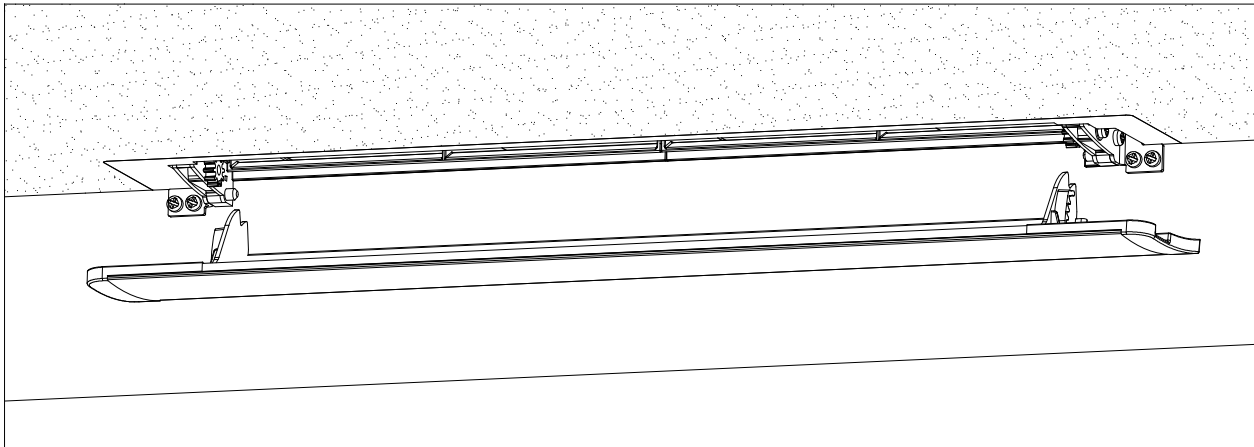
Insert the drilling guide into the pass-through duct as shown in the drawing. The drill guide should rest against the bottom surface of the pass-through duct. Then, drill four holes in the window frame with a diameter matching the holes in the drilling guide: 2.5 mm for aluminum windows and 2.0 mm for PVC and wooden windows.

12.



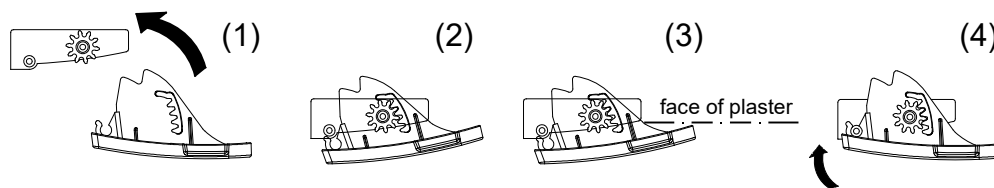
Place the supports into the pass-through duct as shown in the drawing. Then, screw the supports to the window frame into previously drilled holes using four $\text{Ø}2.9$ mm screws.

13.

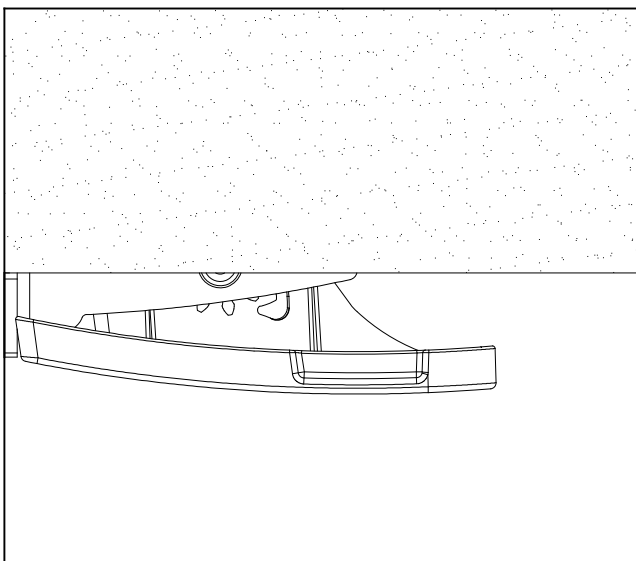


Using a rotating motion (1), move the regulator so that the gears connect (2). Rest the regulator against the lower edge of the pass-through duct (3). Then, connect the ends of the regulator to the shafts located in the supports using a click mechanism (4).

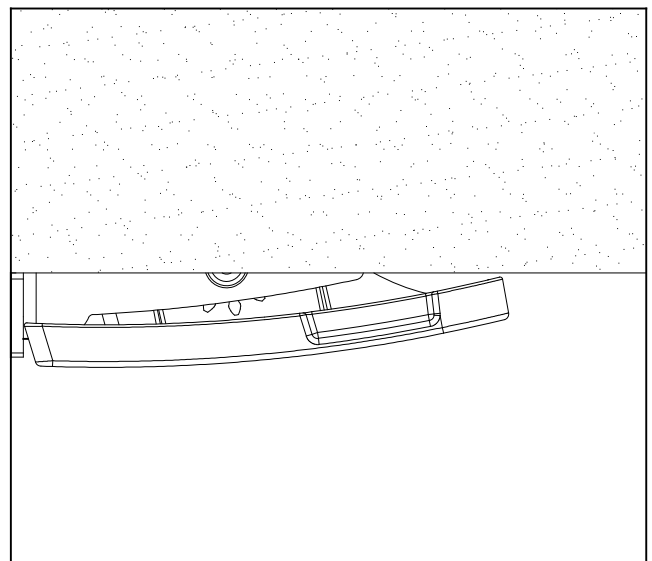
Simplified assembly of the gear mechanism



14.



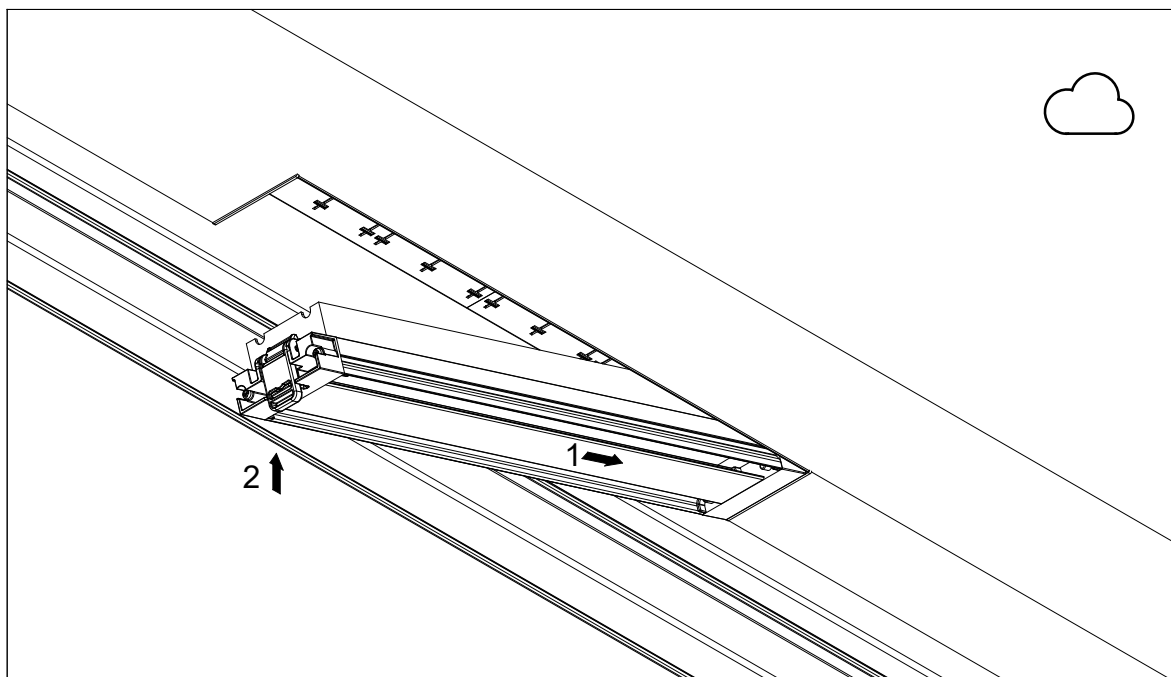
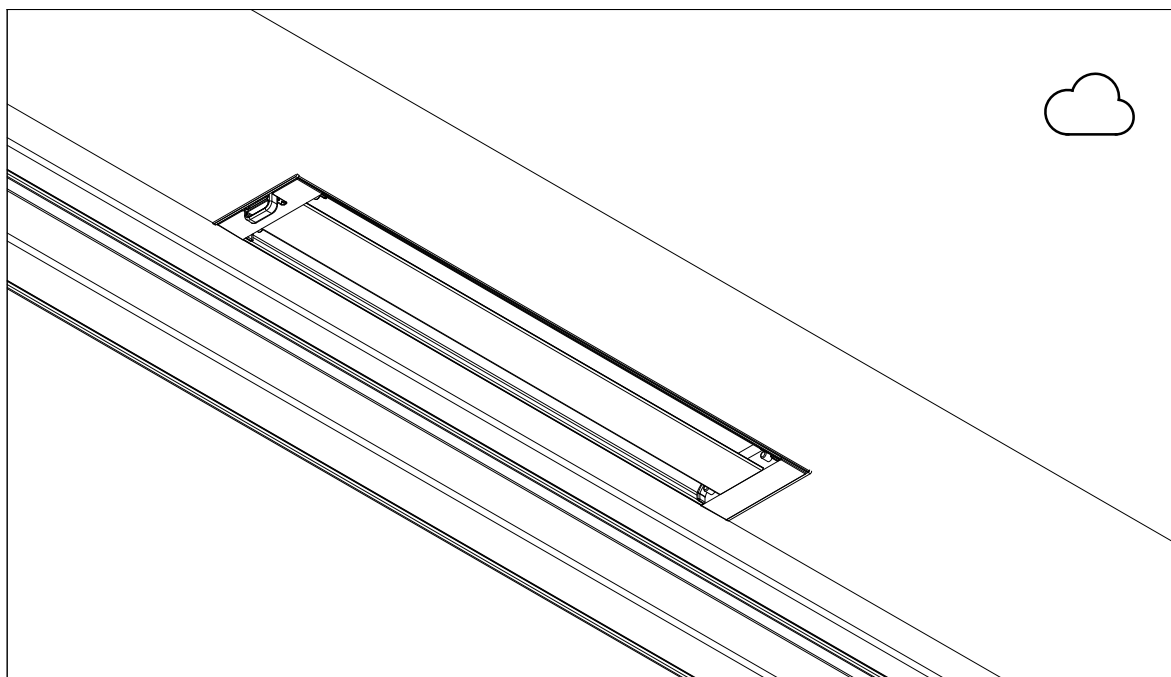
Regulator open



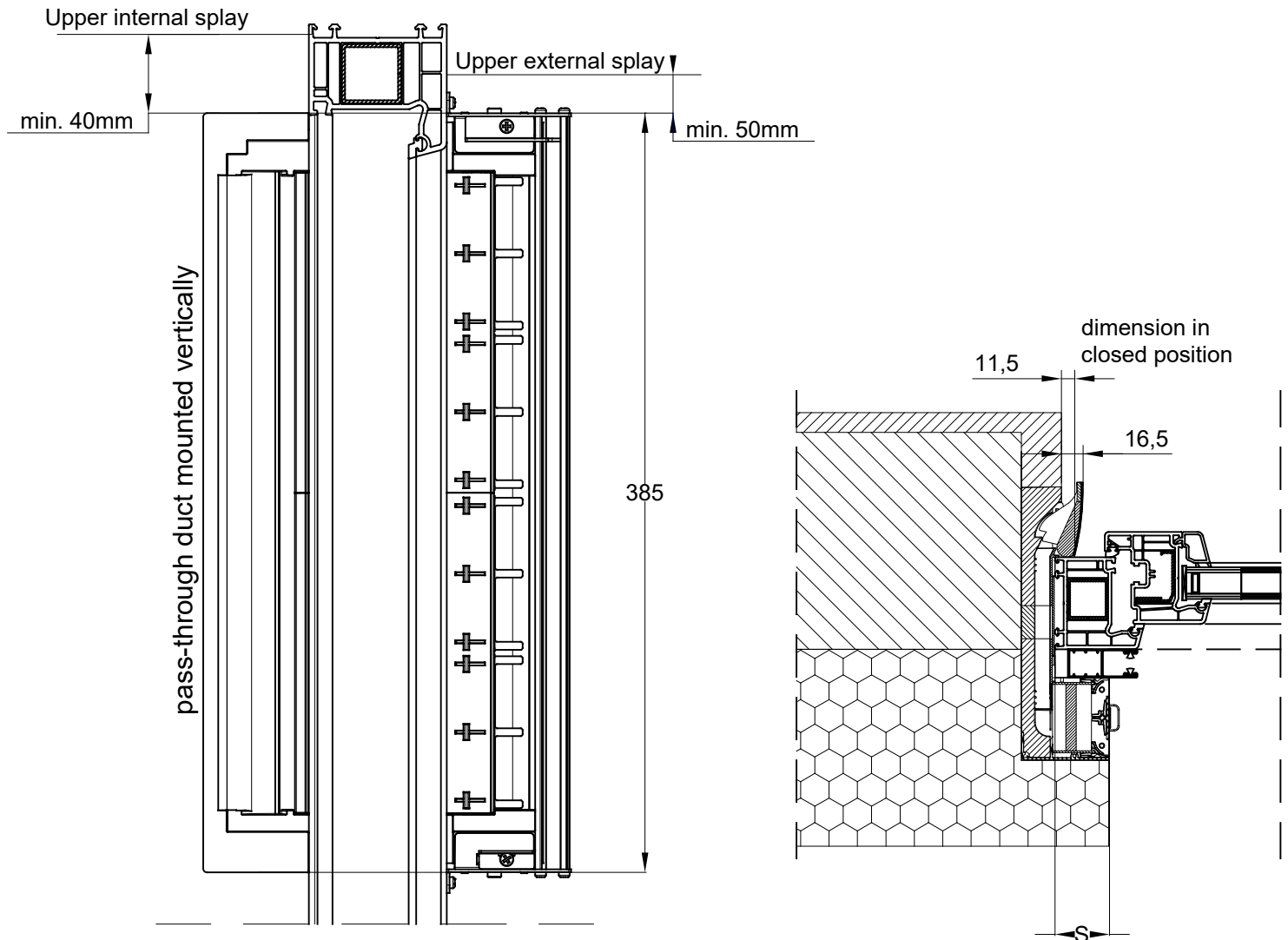
Regulator closed

15.

Insert the air intake cartridge until it clicks.
NOTE! The cartridge release button should be on the right side when looking from the inside.

**16.**

Conditions for installing the Insolio ventilator between the window frame and the upper splay



NOTE!

- In case of vertical installation it is recommended to install the Insolio ventilator on the handle side (not on the hinge side) or in fixed glazing panel.
- It is not recommended to install Insolio F in the fixed glazing panel if there is no access to the window from the outside. In such case, filter replacement may be impossible.
- In case of vertical installation on the hinge side, it is necessary to check if there is no collision between the flow regulator and the window sash.
- In case of vertical installation on the hinge side, it is necessary to check if there is no collision between the flow regulator and the hinges.
- It is necessary to check whether current adjustemt of dimension S causes any collision with the roller box access hatch.